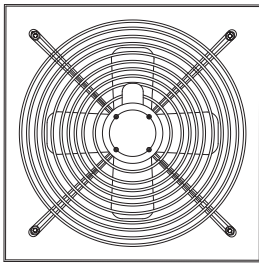


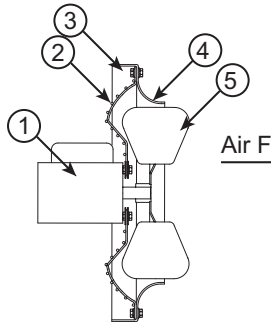
Parts List

XWD & SWD

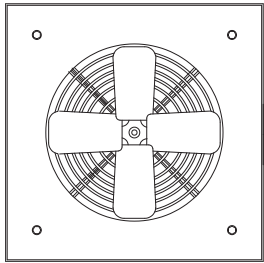
Exhaust



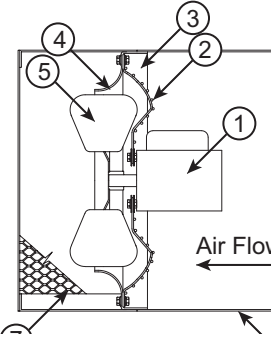
Rotation



Supply



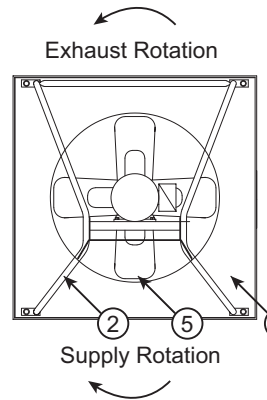
Rotation



Part	Description	Part	Description
1	Motor	5	Stamped Aluminum Propeller
2	Wire Guard	6	Wall Collar
3	Wall Base	7	End Wire Guard
4	Venturi		

Note: Since 2012, the venturi and base are one piece.

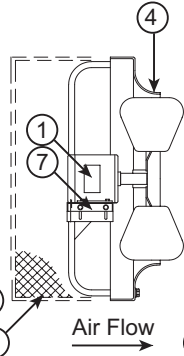
XWHD



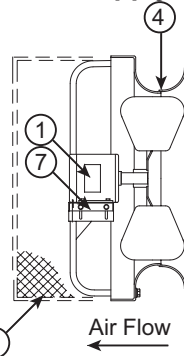
Exhaust Rotation

Supply Rotation

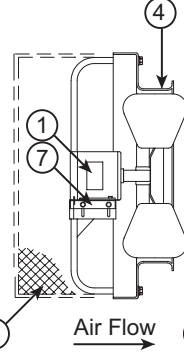
Size 12-18
Exhaust



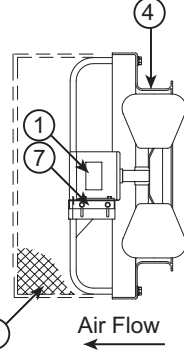
Supply



Size 20-24
Exhaust



Supply

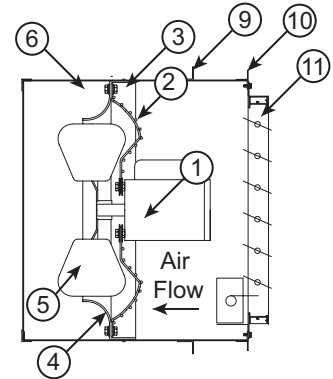
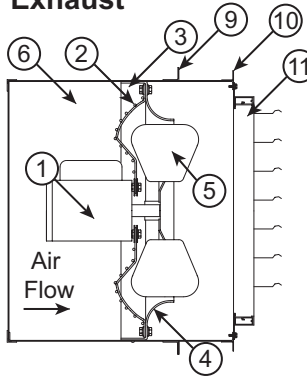


Part	Description
1	Motor
2	Power Assembly
3	Wall Base
4	Venturi
5	Stamped Aluminum Propeller
6	End Wire Guard
7	Motor Plate

Note: Since 2012, the venturi and base are one piece.

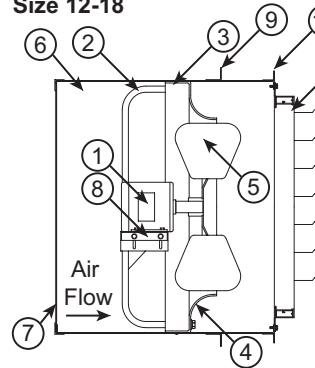
XPD & SPD

Exhaust

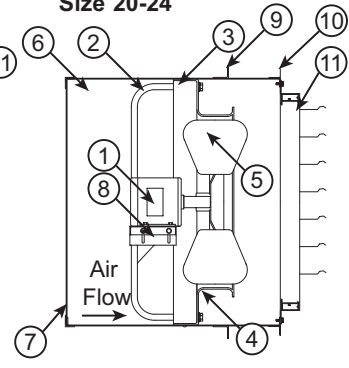


XPHD

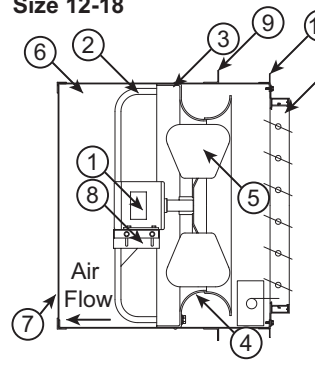
Exhaust
Size 12-18



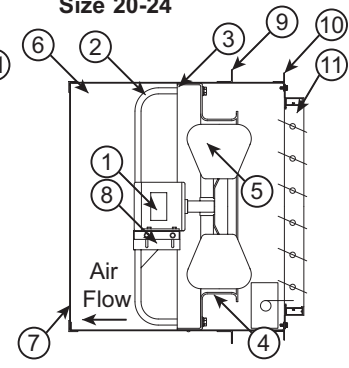
Size 20-24



Supply
Size 12-18



Size 20-24



Part	Description	
	XPD SPD	XPHD
1	Motor	Motor
2	Wire Guard	Power Assembly
3	Wall Base	Wall Base
4	Venturi	Venturi
5	Stamped Aluminum Propeller	Stamped Aluminum Propeller
6	Fan Box Panels	Fan Box Panels
7	End Wire Guard	End Wire Guard
8	-	Motor Plate
9	Mounting Collar Angles (4)	Mounting Collar Angles (4)
10	Anchor Angles (2)	Anchor Angles (2)
11	Shutter Assembly	Shutter Assembly

Note: Since 2012, the venturi and base are one piece.