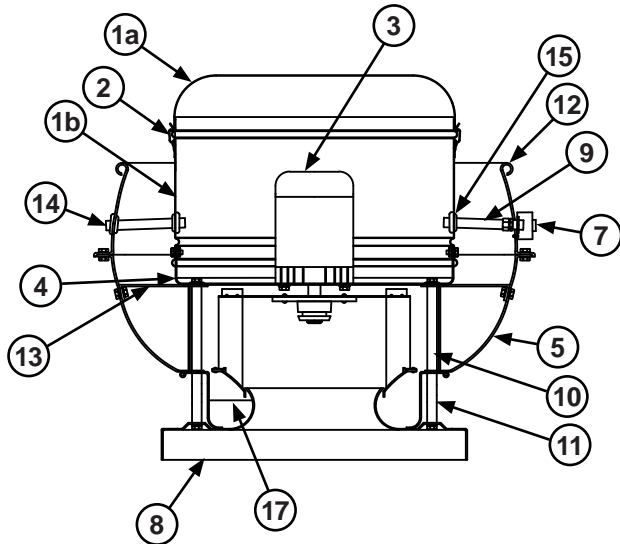
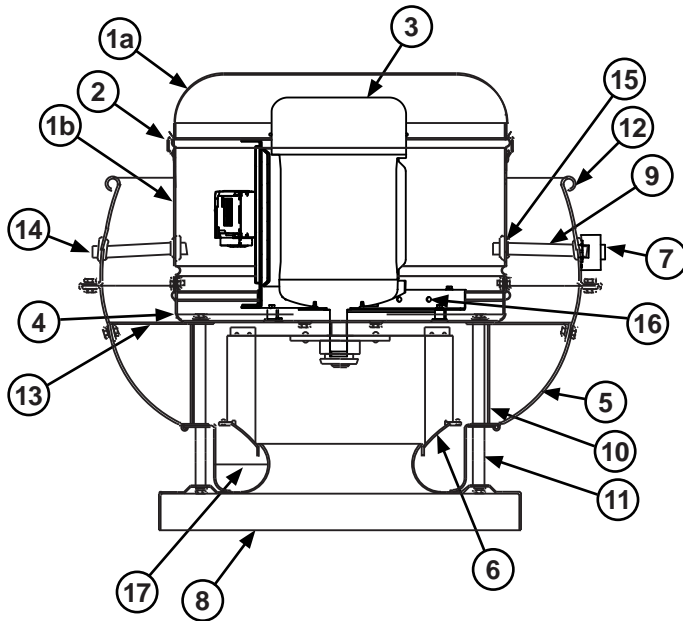


## VCR-D Parts



VCR-D Sizes 70-195

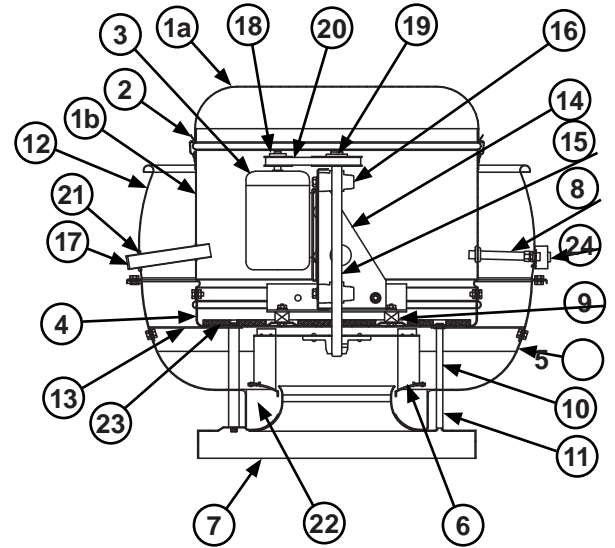


VCR-D Sizes 210-300

Item #	VCR-D Parts Description	
	101-195	210-300
1a	Top Cap Lid	Top Cap Lid
1b	Top Cap Cylinder	Top Cap Cylinder
2	Top Cap Clip (4)	Top Cap Clip (4) (210-245) Top Cap Clip (8) (270-300)
3	Motor	Motor
4	Motor Plate	Motor Plate
5	Baffle	Baffle
6	Wheel Assembly	Wheel Assembly
7	NEMA 3 Junction Box	NEMA 3 Junction Box
8	Base	Base
9	Conduit	Conduit
10	Upper Post (4)	Upper Post (4) (210-245) Upper Post (8) (270-300)
11	Lower Post (4)	Lower Post (8)
12	Wind Band	Wind Band
13	Brace (4)	Brace (8)
14	Vent Tube	Vent Tube
15	Grommet (2)	Grommet (2)
16	-	Power Assembly
17	Cut Off*	Cut Off*

\*Cut off Plate is only on the VCR-HP and VCR-XP.

## VCR-B Parts



VCR-B Sizes 100-490

Item #	VCR-B Parts Description		
	100-225	245	270-490
1a	Top Cap Lid	Top Cap Lid	Top Cap Lid
1b	Top Cap Cylinder	Top Cap Cylinder	Top Cap Cylinder
2	Top Cap Clip (4)	Top Cap Clip (4)	Top Cap Clip (8)
3	Motor	Motor	Motor
4	Motor Plate	Motor Plate	Motor Plate
5	Baffle	Baffle	Baffle
6	Wheel Assembly	Wheel Assembly	Wheel Assembly
7	Base	Base	Base
8	Conduit	Conduit	Conduit
9	Isolator (4)	Isolator (4)	Isolator (4)
10	Upper Post (4)	Upper Post (4)	Upper Post (8)
11	Lower Post (4)	Lower Post (4)	Lower Post (8)
12	Wind Band	Wind Band	Wind Band
13	Brace (4)	Brace (4)	Brace (8)
14	Power Assembly	Power Assembly	Power Assembly
15	Shaft	Shaft	Shaft
16	Bearing (2)	Bearing (2)	Bearing (2)
17	Vent Tube	Vent Tube	Vent Tube
18	Driven Sheave	Driven Sheave	Driven Sheave
19	Belt Set	Belt Set	Belt Set
20	Vent Tube	Vent Tube	Vent Tube
21	Grommet (2)	Grommet (2)	Grommet (2)
22	Cut Off*	Cut Off*	Cut Off*
23	Insulation	Insulation	Insulation
24	NEMA 3 Junction Box	NEMA 3 Junction Box	NEMA 3 Junction Box

\*Cut off Plate is only on the VCR-HP and VCR-XP.