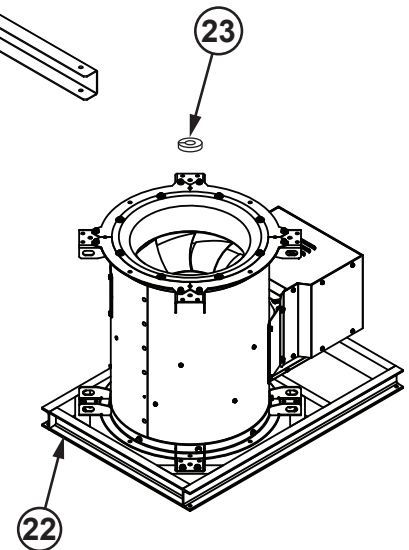
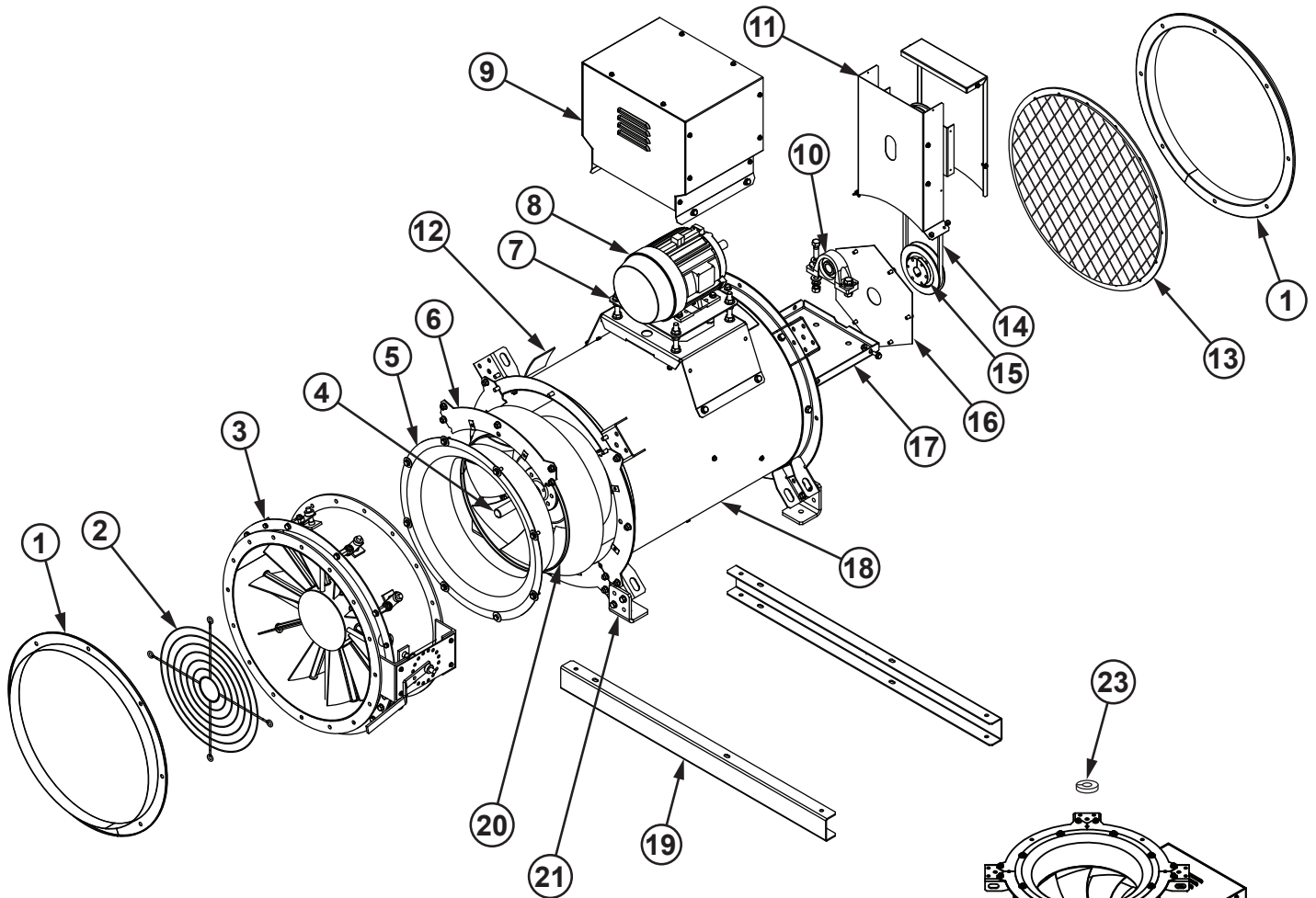


Parts List TMX



Part No.	Description	Part No.	Description
1	Companion Flange (optional)	13	Discharge Safety Screen (optional)
2	Inlet Spiral Guard or Safety Screen (optional)	14	Belt Set
3	External Inlet Vane Damper (optional)	15	Drives
4	Shaft	16	Inner Housing Cover
5	Inlet	17	Bearing Plate
6	Inlet Plate	18	TMX Housing
7	Motor Plate	19	Isolation Rails - Horizontal Mount (optional)
8	Motor	20	TMX Wheel
9	Motor Cover (optional)	21	Mounting Foot - Horizontal
10	Bearing (two required)	22	Isolation Structure - Vertical Mount (optional)
11	Belt Guard	23	Shaft Locking Collar - Vertical Mount
12	Access Door		

Limited Warranty

Loren Cook Company warrants that your Loren Cook fan was manufactured free of defects in materials and workmanship, to the extent stated herein. For a period of one (1) year after date of shipment, we will replace any parts found to be defective without charge, except for shipping costs which will be paid by you. This warranty is granted only to the original purchaser placing the fan in service. This warranty is void if the fan or any part thereof has been altered or modified from its original design or has been abused, misused, damaged or is in worn condition or if the fan has been used other than for the uses described in the company manual. This warranty does not cover defects resulting from normal wear and tear. To make a warranty claim, notify Loren Cook Company, General Offices, 2015 East Dale Street, Springfield, Missouri 65803-4637, explaining in writing, in detail, your complaint and referring to the specific model and serial numbers of your fan. Upon receipt by Loren Cook Company of your written complaint, you will be notified, within thirty (30) days of our receipt of your complaint, in writing, as to the manner in which your claim will be handled. If you are entitled to warranty relief, a warranty adjustment will be completed within sixty (60) business days of the receipt of your written complaint by Loren Cook Company. This warranty gives only the original purchaser placing the fan in service specifically the right. You may have other legal rights which vary from state to state. For fans provided with motors, the motor manufacturer warrants motors for a designated period stated in the manufacturer's warranty. Warranty periods vary from manufacturer to manufacturer. Should motors furnished by Loren Cook Company prove defective during the designated period, they should be returned to the nearest authorized motor service station. Loren Cook Company will not be responsible for any removal or installation costs.

LOREN COOK COMPANY

Corporate Offices: 2015 E. Dale St. Springfield, MO 65803
Phone 417-869-6474 | Fax 417-862-3820 | lorencook.com

July 2017