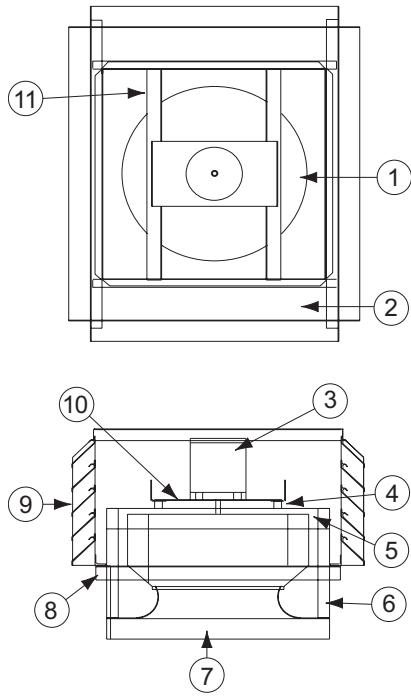


Parts List

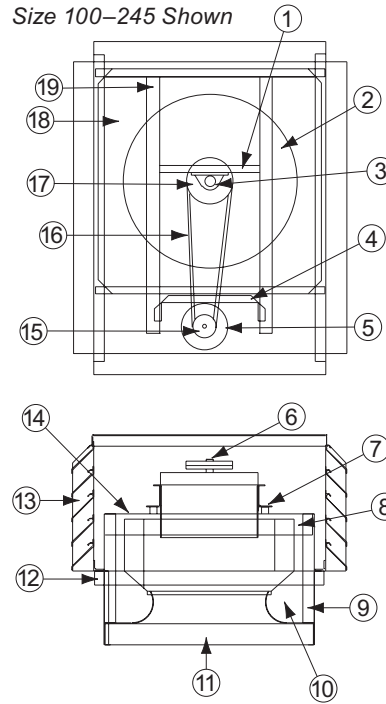
TLC-D



Part No.	Description (Sizes 100–180)
1	Wheel Assembly
2	Birdscreen Assembly
3	Motor
4	Isolator (4)
5	Mounting Rail (2)
6	Support Post (4)
7	Base
8	Hood Support (2)
9	Penthouse Assembly
10	Motor Plate
11	Power Assembly Rail (2)

TLC-B

Size 100–245 Shown



Part No.	Description (Sizes 100–180)	
	Sizes 100–245	Sizes 270–540
1	Bearing Plate	Bearing Plate
2	Wheel Assembly	Wheel Assembly
3	Bearings (2)	Bearings (2)
4	Motor Plate	Motor Plate
5	Motor	Motor
6	Shaft	Shaft
7	Isolator (4)	Isolator (4)
8	-	Isolator Bracket (4)
9	Support Post (4)	Support Post (4)
10	Wrapper (4)	Wrapper (4)
11	Base	Base
12	Hood Support (2)	Hood Support (2)
13	Penthouse Assembly	Penthouse Assembly
14	Mounting Rail (2)	Mounting Rail (2)
15	Driver Sheave	Driver Sheave
16	Belt Set	Belt Set
17	Driven Sheave	Driven Sheave
18	Birdscreen Assembly	Birdscreen Assembly
19	Power Assembly Rail (2)	Power Assembly Rail (2)

Limited Warranty

Loren Cook Company warrants that your Loren Cook fan was manufactured free of defects in materials and workmanship, to the extent stated herein. For a period of one (1) year after date of shipment, we will replace any parts found to be defective without charge, except for shipping costs which will be paid by you. This warranty is granted only to the original purchaser placing the fan in service. This warranty is void if the fan or any part thereof has been altered or modified from its original design or has been abused, misused, damaged or is in worn condition or if the fan has been used other than for the uses described in the company manual. This warranty does not cover defects resulting from normal wear and tear. To make a warranty claim, notify Loren Cook Company, General Offices, 2015 East Dale Street, Springfield, Missouri 65803-4637, explaining in writing, in detail, your complaint and referring to the specific model and serial numbers of your fan. Upon receipt by Loren Cook Company of your written complaint, you will be notified, within thirty (30) days of our receipt of your complaint, in writing, as to the manner in which your claim will be handled. If you are entitled to warranty relief, a warranty adjustment will be completed within sixty (60) business days of the receipt of your written complaint by Loren Cook Company. This warranty gives only the original purchaser placing the fan in service specifically the right. You may have other legal rights which vary from state to state. For fans provided with motors, the motor manufacturer warrants motors for a designated period stated in the manufacturer's warranty. Warranty periods vary from manufacturer to manufacturer. Should motors furnished by Loren Cook Company prove defective during the designated period, they should be returned to the nearest authorized motor service station. Loren Cook Company will not be responsible for any removal or installation costs.



LOREN COOK COMPANY

Corporate Offices: 2015 E. Dale St. Springfield, MO 65803
 Phone 417-869-6474 | Fax 417-862-3820 | lorencook.com