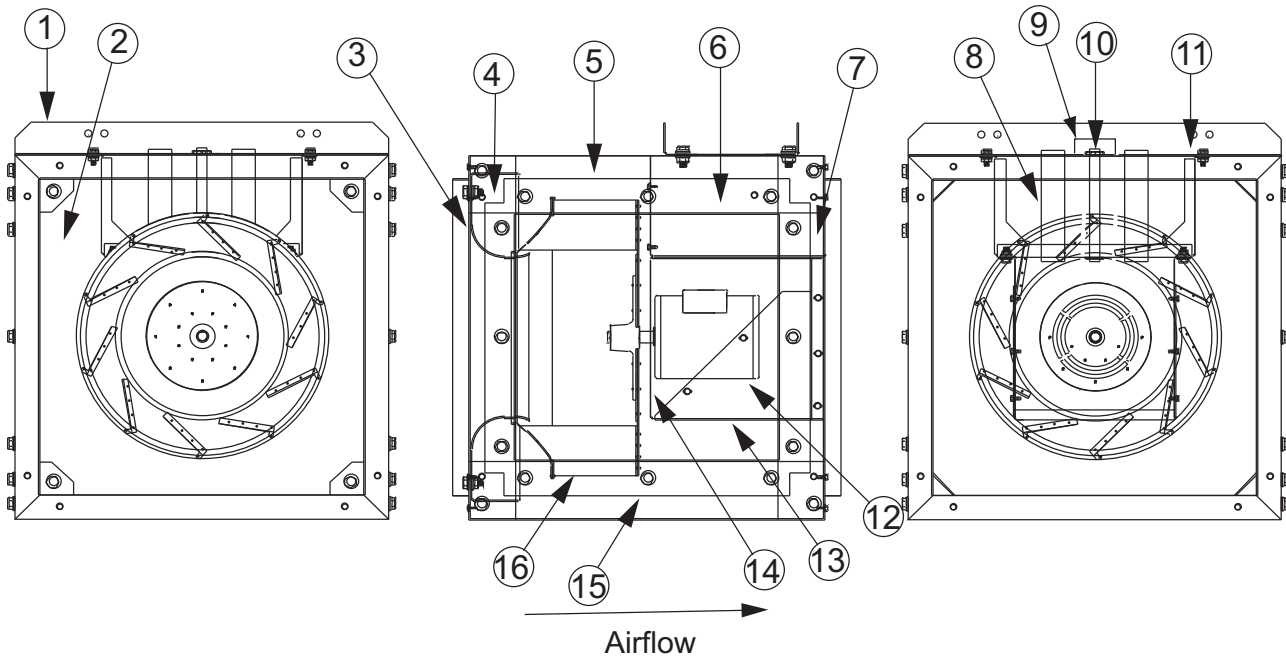


SQN-D



Part No.	Description
1	Motor Support Rail (2)
2	Inlet Panel (1)
3	Inlet Cone, Sizes 135 - 165 (1)
4	Housing Frame Support (6)
5	Housing Panel Motor Side (1)
6	Access Panel (3)
7	Motor Cover Back Plate (1)
8	Cooling Tube (2)
9	Electrical Box
10	Electrical Conduit (1)
11	Motor Plate Platform (1)
12	Motor (1)
13	Motor Cover (1)
14	Motor Plate (1)
15	Housing Frame Rail (2)
16	Wheel