

# Troubleshooting

## Problem and Potential Cause

### Low Capacity or Pressure:

- Incorrect direction of rotation. Make sure the fan rotates in same direction as the arrows on the motor or belt drive assembly.
- Poor fan inlet conditions. There should be a straight clear duct at the inlet.
- Improper wheel alignment.

### Excessive Vibration and Noise:

- Damaged or unbalanced wheel.
- Belts too loose; worn or oily belts.
- Speed too high.
- Incorrect direction of rotation. Make sure the fan rotates in same direction as the arrows on the motor or belt drive assembly.
- Bearings need lubrication or replacement.
- Fan surge.

### Overheated Motor:

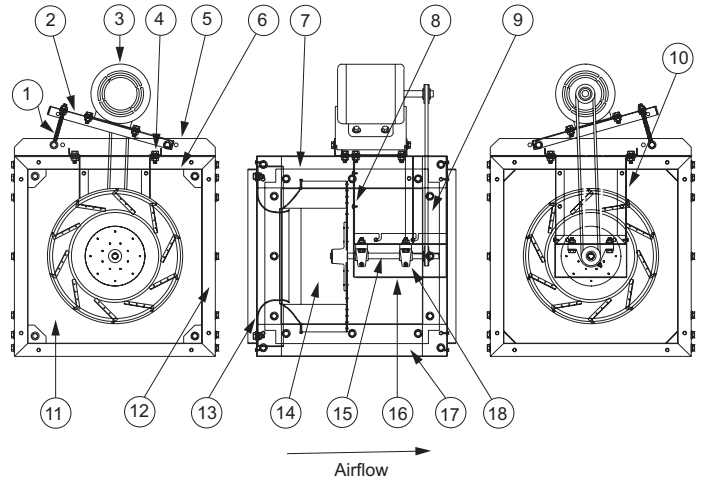
- Motor improperly wired.
- Incorrect direction of rotation. Make sure the fan rotates in same direction as the arrows on the motor or belt drive assembly.
- Cooling air diverted or blocked.
- Improper inlet clearance.
- Incorrect fan RPMs.
- Incorrect voltage.

### Overheated Bearings:

- Improper bearing lubrication
- Excessive belt tension.

# Parts Lists

## SQN-B/SQN-HP



Part No.	Description		
	Sizes 60 - 165	Sizes 180 - 210	Sizes 225 - 402
1	L-Bolt (2)	L-Bolt (2)	L-Bolt (2)
2	Motor Plate (1)	Motor Plate (1)	Motor Plate (1)
3	Motor (1)	Motor (1)	Motor (1)
4	Motor Support Bracket (2)	Motor Support Bracket (2)	Motor Support Bracket (2)
5	Motor Support Rail (2)	Motor Support Rail (3)	Motor Support Rail (2)
6	Housing Panel Motor Side (1)	Housing Panel Motor Side (1)	Housing Panel Motor Side (1)
7	Access Panel (3)	Access Panel (3)	Access Panel (3)
8	Bearing Support Reinforcement Plate (1)	Bearing Support Reinforcement Plate (1)	Bearing Support Reinforcement Plate (2)
9	Belt Cover (1)	Belt Cover (1)	Belt Cover (1)
10	Bearing Support & Bearing Support Leg	Bearing Support & Bearing Support Leg	Bearing Support & Bearing Support Leg
11	Inlet Panel (1)	Inlet Panel (1)	Inlet Panel (1)
12	Housing Frame Support (6)	Housing Frame Support (6)	Housing Frame Support (6)
13	Inlet Cone, Sizes 135-402 (1)	Inlet Cone, Sizes 135-402 (1)	Inlet Cone, Sizes 135-402 (1)
14	Wheel (1)	Wheel (1)	Wheel (1)
15	Shaft (1)	Shaft (1)	Shaft (1)
16	Bearing Cover (1)	Bearing Cover (1)	Bearing Cover (1)
17	Housing Frame Rail (2)	Housing Frame Rail (2)	Housing Frame Rail (2)
18	Bearing (2)	Bearing (2)	Bearing (2)