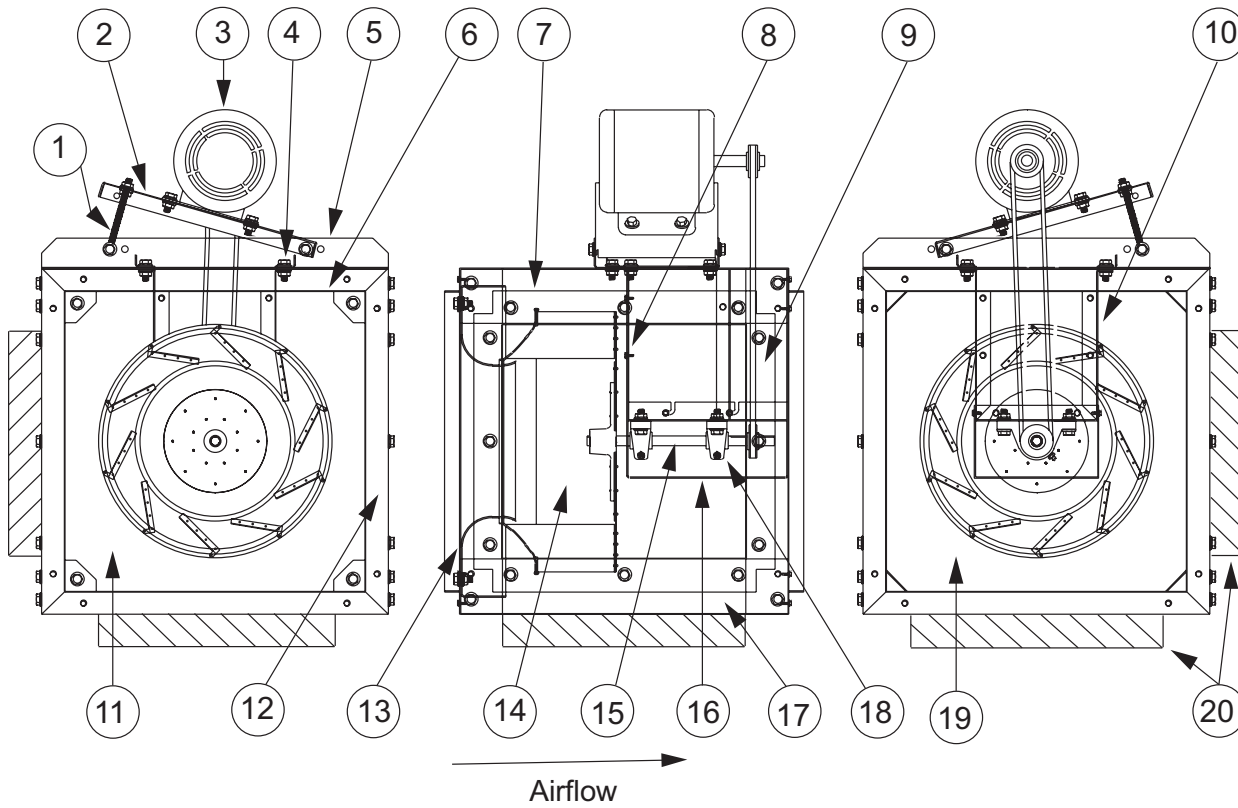


SQN-B/SQN-HP Side Discharge



Part No.	Description		
	Sizes 60 - 165	Sizes 180 - 210	Sizes 225 - 402
1	L-Bolt (2)	L-Bolt (2)	L-Bolt (2)
2	Motor Plate (1)	Motor Plate (1)	Motor Plate (1)
3	Motor (1)	Motor (1)	Motor (1)
4	Motor Support Bracket (2)	Motor Support Bracket (2)	Motor Support Bracket (2)
5	Motor Support Rail (2)	Motor Support Rail (3)	Motor Support Rail (2)
6	Housing Panel Motor Side (1)	Housing Panel Motor Side (1)	Housing Panel Motor Side (1)
7	Access Panel (3)	Access Panel (3)	Access Panel (3)
8	Bearing Support Reinforcement Plate (1)	Bearing Support Reinforcement Plate (1)	Bearing Support Reinforcement Plate (2)
9	Belt Cover (1)	Belt Cover (1)	Belt Cover (1)
10	Bearing Support Assembly (1)	Bearing Support Assembly (1)	Bearing Support Assembly (1)
11	Inlet Panel (1)	Inlet Panel (1)	Inlet Panel (1)
12	Housing Frame Support (6)	Housing Frame Support (6)	Housing Frame Support (6)
13	Inlet Cone, Sizes 135 - 402 (1)	Inlet Cone, Sizes 135 - 402 (1)	Inlet Cone, Sizes 135 - 402 (1)
14	Wheel (1)	Wheel (1)	Wheel (1)
15	Shaft (1)	Shaft (1)	Shaft (1)
16	Bearing Cover (1)	Bearing Cover (1)	Bearing Cover (1)
17	Housing Frame Rail (2)	Housing Frame Rail (2)	Housing Frame Rail (2)
18	Bearing (2)	Bearing (2)	Bearing (2)
19	Discharge Cover (1)	Discharge Cover (1)	Discharge Cover (1)
20	Single Side Discharge Flange (4)	Single Side Discharge Flange (4)	Single Side Discharge Flange (4)
	Dual Side Discharge Flange (8)	Dual Side Discharge Flange (8)	Dual Side Discharge Flange (8)