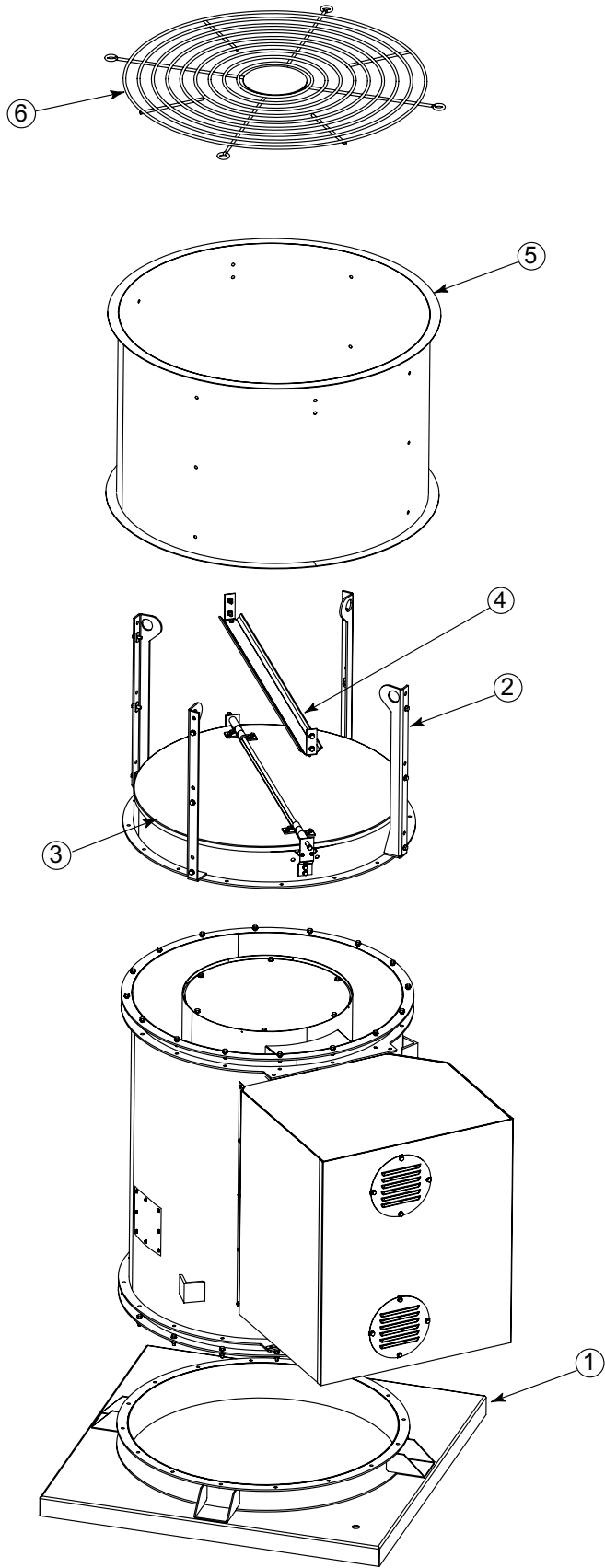


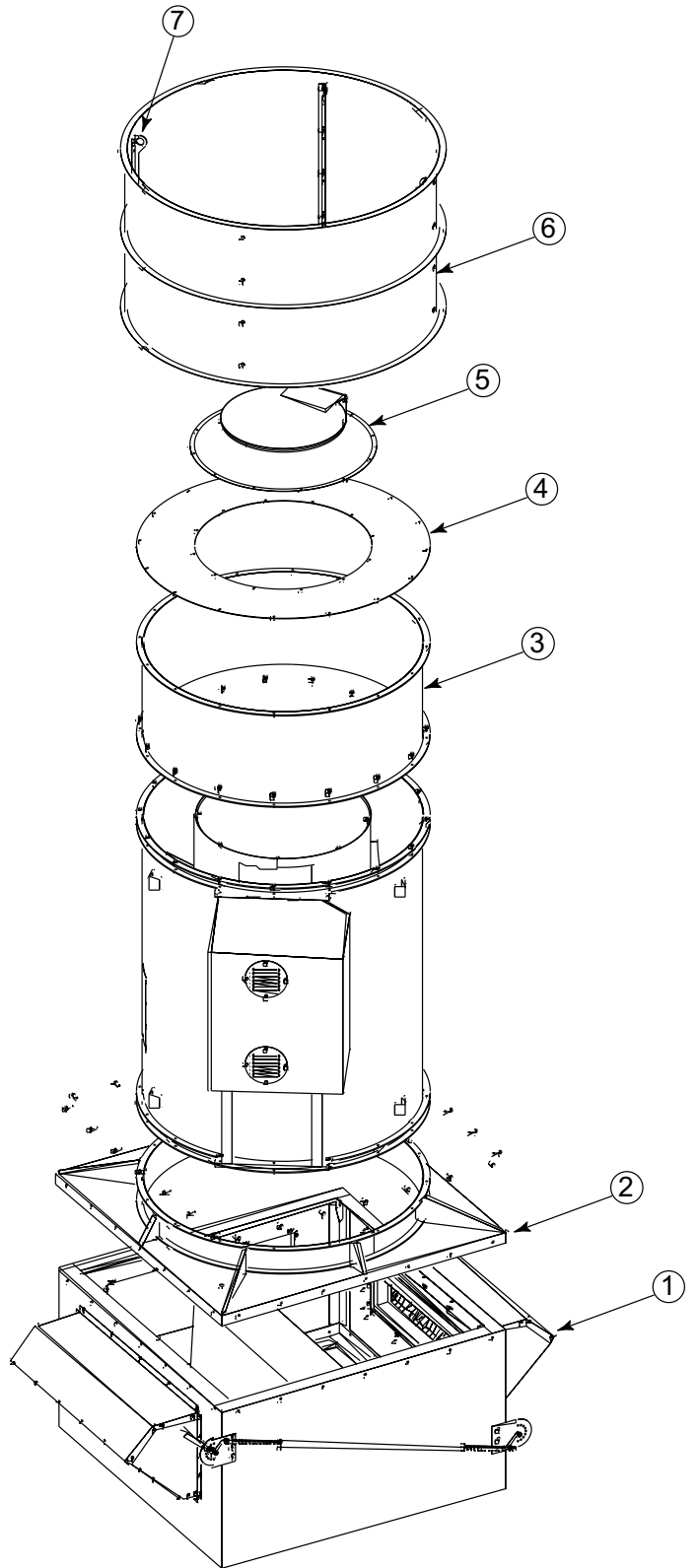
# QMXU/QMXU-HP



| Part No. | Description                     |
|----------|---------------------------------|
| 1        | QMX Curb Cap                    |
| 2        | QMXU Lifting Lug                |
| 3        | QMXU Damper                     |
| 4        | QMXU Damper Stop                |
| 5        | QMXU Windband                   |
| 6        | QMXU Discharge Guard (optional) |

See common parts (not shown) listed on page 9.

# QMXLE/QMXLE-HP



| Part No. | Description          |
|----------|----------------------|
| 1        | QMXLE Mixing Box     |
| 2        | QMXLE Curb Cap       |
| 3        | QMXLE Middle Section |
| 4        | QMXLE Adapter Plate  |
| 5        | QMXLE Stack Damper   |
| 6        | QMXLE Windband       |
| 7        | QMXLE Lifting Lug    |

See common parts (not shown) listed on page 9.