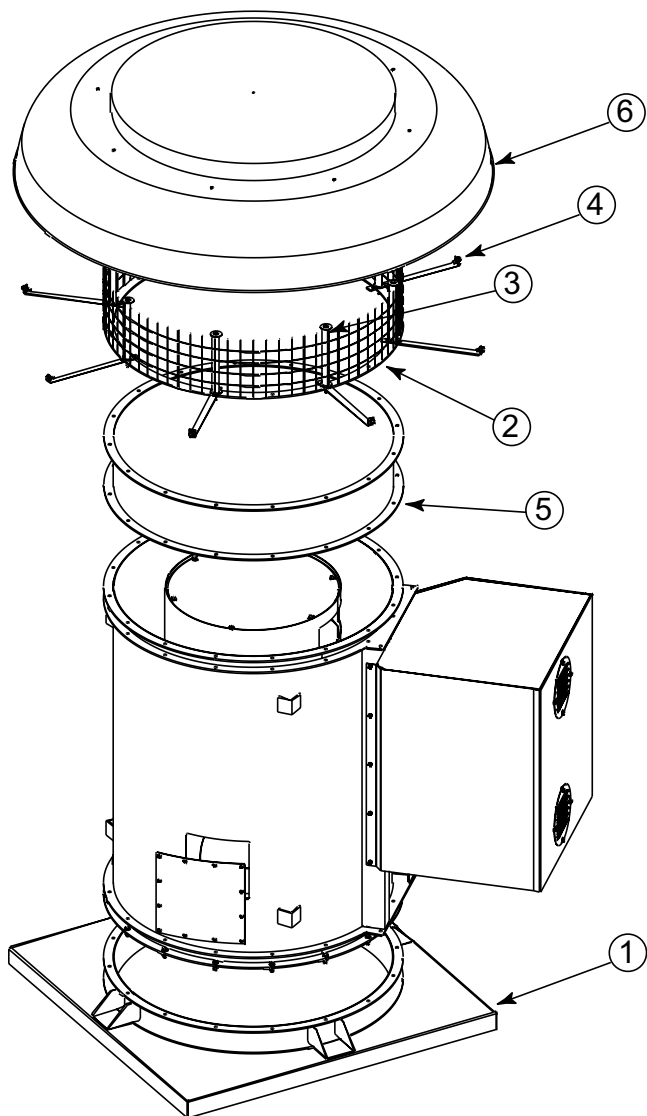


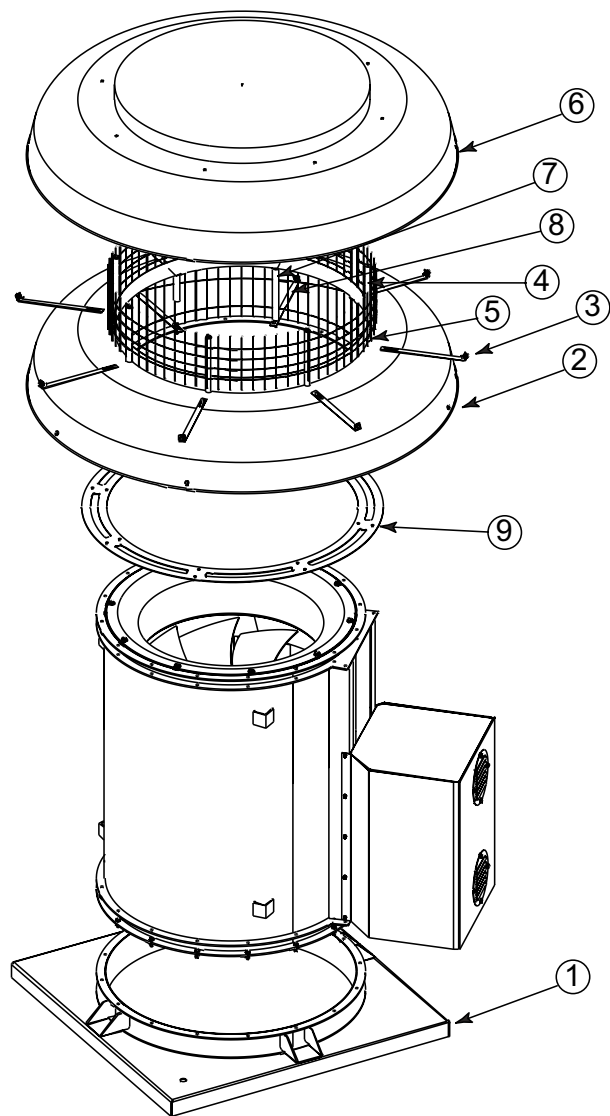
QMXE/QMXE-HP



Part No.	Description
1	QMX Curb Cap
2	QMXE Birdscreen
3	QMXE Top Cap Post
4	QMXE Baffle Brace
5	QMXE Top Cap Extension (for size 90 only)
6	QMXE Top Cap

See common parts (not shown) listed on page 9.

QMXS/QMXS-HP



Part No.	Description
1	QMX Curb Cap
2	QMXS Top Cap - Open
3	QMXS Upper Baffle Brace
4	QMXS Top Cap Post
5	QMXS Birdscreen
6	QMXS Top Cap
7	QMXS Lower Top Cap Post
8	QMXS Lower Baffle Brace
9	QMXS Adapter Plate

See common parts (not shown) listed on page 9.