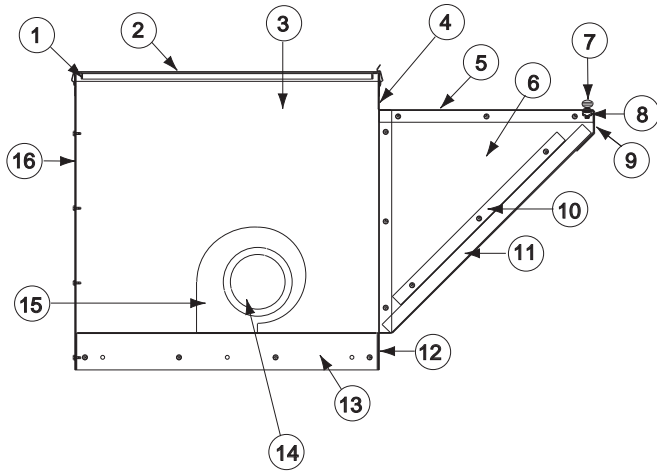
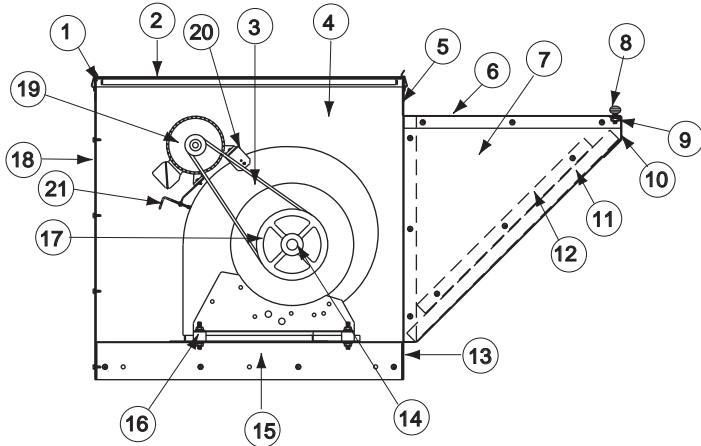


KSP-D Parts List



Part No.	Description	
	Size 90	Sizes 91 - 121
1	Ludwig Clip (4)	Ludwig Clip (4)
2	Topcap	Topcap
3	Side Panel (2)	Side Panel (2)
4	Intake Side Top Panel	Intake Side Top Panel
5	Intake Top Panel	Intake Top Panel
6	Intake Side Panel (2)	Intake Side Panel (2)
7	Thumb Screw (2)	Thumb Screw (2)
8	Nut Retainer (2)	Nut Retainer (2)
9	Filter Retainer	Filter Retainer
10	Filter Angle (2)	Filter Angle (2)
11	Filter	Filter
12	Intake Side Bottom Panel	Intake Side Bottom Panel
13	Base	Base
14	Motor	Motor
15	Housing	Housing
16	Side Panel Opposite Intake	Side Panel Opposite Intake

KSP-B Parts List



Part No.	Description	
	Size 90 - 120	Sizes 150 - 200
1	Ludwig Clip (4)	Ludwig Clip (4)
2	Topcap	Topcap
3	Blower	Blower
4	Side Panel (2)	Side Panel (2)
5	Intake Side Top Panel	Intake Side Top Panel
6	Intake Top Panel	Intake Top Panel
7	Intake Side Panel (2)	Intake Side Panel (2)
8	Thumb Screw (2)	Thumb Screw (2)
9	Nut Retainer (2)	Nut Retainer (2)
10	Filter Retainer	Filter Retainer
11	Filter	Filter (2)
12	Filter Angle (2)	Filter Angle (2)
13	Intake Side Bottom Panel	Intake Side Bottom Panel
14	Bearings (2)	Bearings (2)
15	Base	Base
16	Isolator (4)	Isolator (4)
17	Driven Sheave	Driven Sheave
18	Side Panel Opposite Intake	Side Panel Opposite Intake
19	Motor	Motor
20	Motor Mount Bracket	Motor Mount Bracket
21	Motor Tension Hardware	Motor Tension Hardware

Limited Warranty

Loren Cook Company warrants that your Loren Cook fan was manufactured free of defects in materials and workmanship, to the extent stated herein. For a period of one (1) year after date of shipment, we will replace any parts found to be defective without charge, except for shipping costs which will be paid by you. This warranty is granted only to the original purchaser placing the fan in service. This warranty is void if the fan or any part thereof has been altered or modified from its original design or has been abused, mis-used, damaged or is in worn condition or if the fan has been used other than for the uses described in the company manual. This warranty does not cover defects resulting from normal wear and tear. To make a warranty claim, notify Loren Cook Company, General Offices, 2015 East Dale Street, Springfield, Missouri 65803-4637, explaining in writing, in detail, your complaint and referring to the specific model and serial numbers of your fan. Upon receipt by Loren Cook Company of your written complaint, you will be notified, within thirty (30) days of our receipt of your complaint, in writing, as to the manner in which your claim will be handled. If you are entitled to warranty relief, a warranty adjustment will be completed within sixty (60) business days of the receipt of your written complaint by Loren Cook Company. This warranty gives only the original purchaser placing the fan in service specifically the right. You may have other legal rights which vary from state to state.

LOREN COOK COMPANY

Corporate Offices: 2015 E. Dale Street Springfield, MO 65803 417.869.6474
lorencook.com