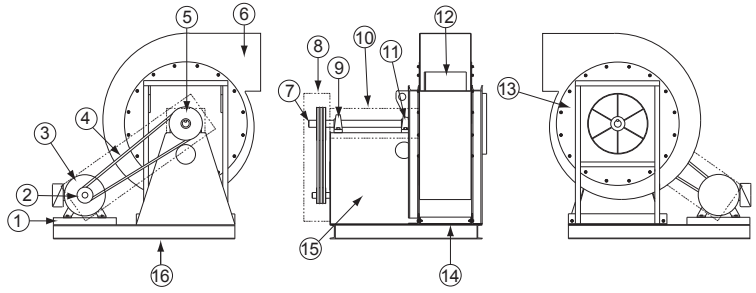


Parts List

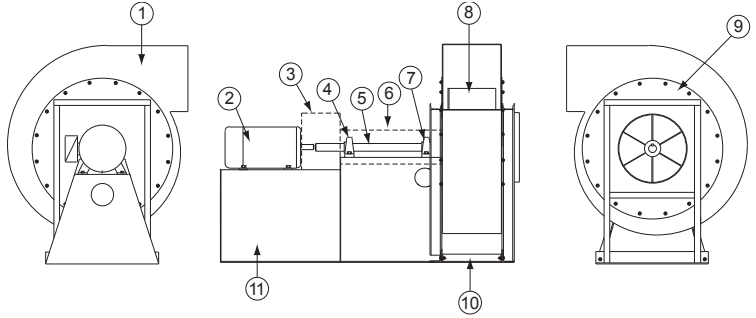
Arrangement 1

Part No.	Sizes 70-290	Part No.	Sizes 70-290
1	Motor slide Base (optional)	9	Drive Side Bearing
2	Motor Sheave	10	Shaft Guard (optional)
3	Motor	11	Opposite Drive Side Bearing
4	Belt Set	12	Wheel
5	Fan Sheave	13	Inlet Side Panel
6	Housing	14	Spreader Bar (2)
7	Shaft	15	Bearing Pedestal
8	Belt Guard	16	Isolation Base (optional)



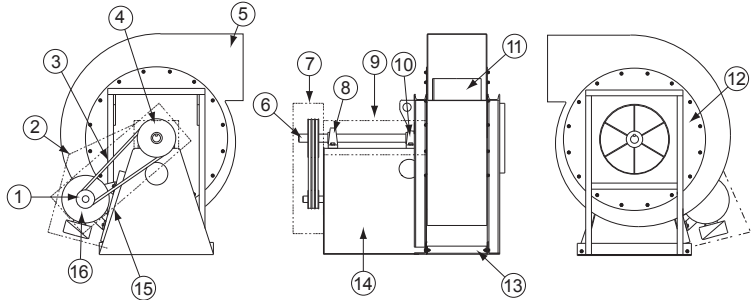
Arrangement 8

Part No.	Sizes 70-290	Part No.	Sizes 70-290
1	Housing	7	Opposite Drive Side Bearing
2	Motor	8	Wheel
3	Optional Coupling Guard	9	Inlet Side Panel
4	Drive Side Bearing	10	Spreader Bar (2)
5	Shaft	11	Motor/Bearing Pedestal
6	Shaft Guard (optional)		



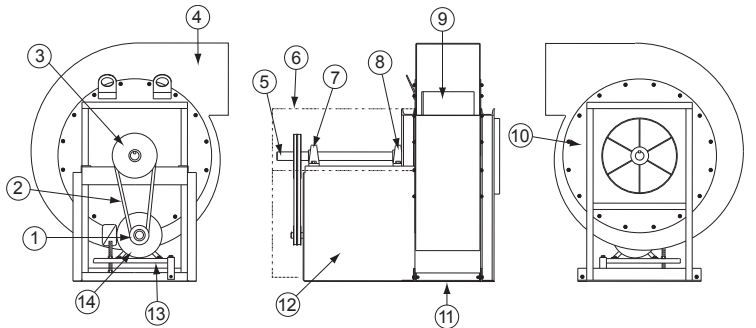
Arrangement 9

Part No.	Sizes 70-290	Part No.	Sizes 70-290
1	Motor Sheave	9	Shaft Guard (optional)
2	Motor Cover (optional)	10	Opposite Drive Side Bearing
3	Belt Set	11	Wheel
4	Fan Sheave	12	Inlet Side Panel
5	Housing	13	Spreader Bar (2)
6	Shaft	14	Bearing Pedestal
7	Belt Guard (optional)	15	Motor Slide Base
8	Drive Side Bearing	16	Motor



Arrangement 10 (available in SD only)

Part No.	Sizes 70-290	Part No.	Sizes 70-290
1	Motor Sheave	8	Opposite Drive Side Bearing
2	Belt Set	9	Wheel
3	Fan Sheave	10	Inlet Side Panel
4	Housing	11	Spreader Bar (2)
5	Shaft	12	Bearing Pedestal
6	Weather Cover/ Belt Guard	13	Motor Mount Assembly
7	Drive Side Bearing	14	Motor



Limited Warranty

Loren Cook Company warrants that your Loren Cook fan was manufactured free of defects in materials and workmanship, to the extent stated herein. For a period of one (1) year after date of shipment, we will replace any parts found to be defective without charge, except for shipping costs which will be paid by you. This warranty is granted only to the original purchaser placing the fan in service. This warranty is void if the fan or any part thereof has been altered or modified from its original design or has been abused, misused, damaged or is in worn condition or if the fan has been used other than for the uses described in the company manual. This warranty does not cover defects resulting from normal wear and tear. To make a warranty claim, notify Loren Cook Company, General Offices, 2015 East Dale Street, Springfield, Missouri 65803-4637, explaining in writing, in detail, your complaint and referring to the specific model and serial numbers of your fan. Upon receipt by Loren Cook Company of your written complaint, you will be notified, within thirty (30) days of our receipt of your complaint, in writing, as to the manner in which your claim will be handled. If you are entitled to warranty relief, a warranty adjustment will be completed within sixty (60) business days of the receipt of your written complaint by Loren Cook Company. This warranty gives only the original purchaser placing the fan in service specifically the right. You may have other legal rights which vary from state to state.



LOREN COOK COMPANY

Corporate Offices: 2015 E. Dale St. Springfield, MO 65803
 Phone 417-869-6474 | Fax 417-862-3820 | lorencook.com