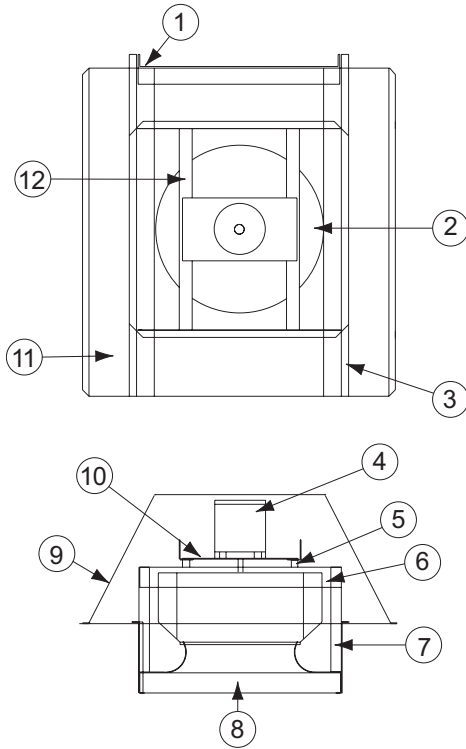


# Parts List

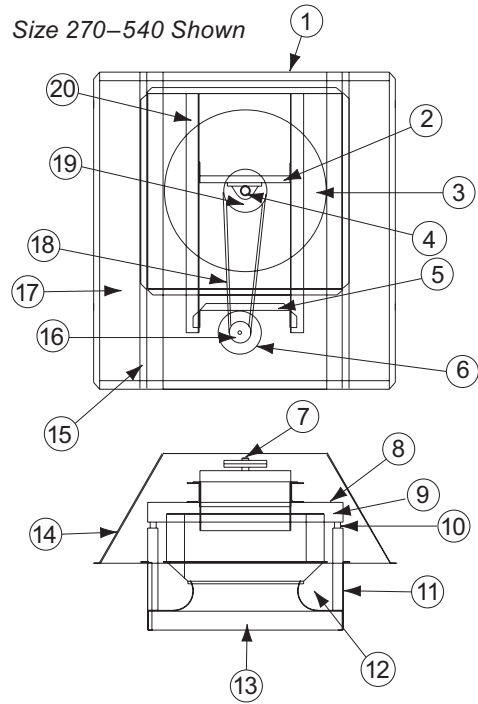
## HLC-D



Part No.	Description (Sizes 100–180)
1	Hinge Bar
2	Wheel Assembly
3	Hood Support (2)
4	Motor
5	Isolators (4)
6	Mounting Rail (2)
7	Support Post (4)
8	Base
9	Hood Assembly
10	Motor Plate
11	Birdscreen Assembly
12	Power Assembly Rail (2)

## HLC-B

Size 270–540 Shown



Part No.	Description	
	Sizes 100–245	Sizes 270–540
1	Hinge Bar	Hinge Bar
2	Bearing Plate	Bearing Plate
3	Wheel Assembly	Wheel Assembly
4	Bearing (2)	Bearing (2)
5	Motor Plate	Motor Plate
6	Motor	Motor
7	Shaft	Shaft
8	Mounting Rail (2)	Mounting Rail (2)
9	-	Isolator Bracket (4)
10	Isolator (4)	Isolator (4)
11	Support Post (4)	Support Post (4)
12	Wrapper (4)	Wrapper (4)
13	Base	Base
14	Hood Assembly	Hood Assembly
15	Hood Support (2)	Hood Support (2)
16	Driver Sheave	Driver Sheave
17	Birdscreen Assembly	Birdscreen Assembly
18	Belt Set	Belt Set
19	Driven Sheave	Driven Sheave
20	Power Assembly Rail (2)	Power Assembly Rail (2)