

Troubleshooting

Problem and Potential Cause

Low Capacity or Pressure

- Incorrect direction of rotation. Make sure the fan rotates in same direction as the arrows on the motor or belt drive assembly.
- Poor fan inlet conditions. There should be a straight clear duct at the inlet.
- Improper propeller alignment.

Excessive Vibration and Noise

- Damaged or unbalanced propeller.
- Belts too loose; worn or oily belts.
- Speed too high.
- Incorrect direction of rotation. Make sure the fan rotates in same direction as the arrows on the motor or belt drive assembly.
- Bearings need lubrication or replacement.
- Fan surge.

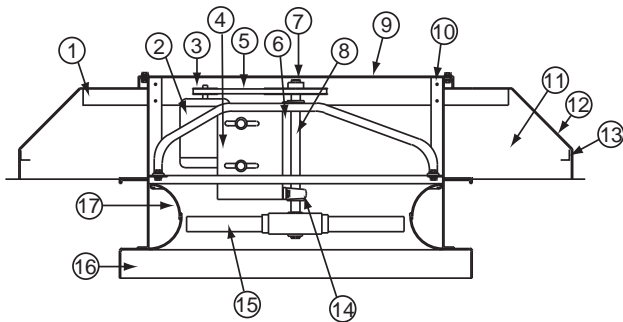
Overheated Motor

- Motor improperly wired.
- Incorrect direction of rotation. Make sure the fan rotates in same direction as the arrows on the motor or belt drive assembly.
- Cooling air diverted or blocked.
- Improper inlet clearance.
- Incorrect fan RPMs.
- Incorrect voltage.

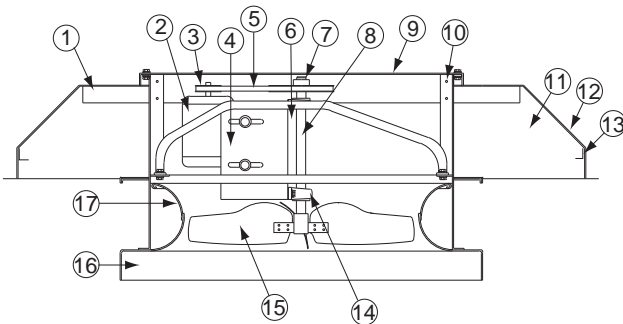
Overheated Bearings

- Improper bearing lubrication
- Excessive belt tension.

HEE/HES/HER Parts List

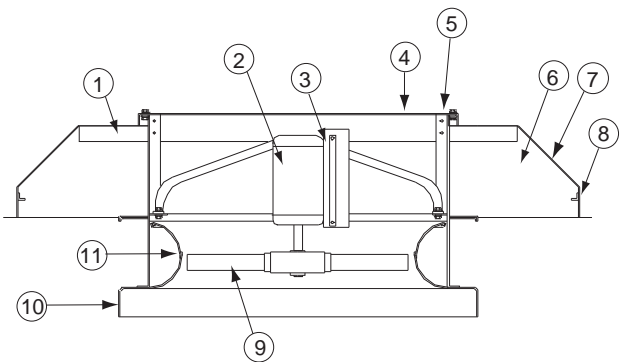


HXEL/HXEM/HXSL/HXSM Parts List



Part No.	HEF, HES, HEE, HER, HXEL, HXEM, HXSL, HXSM		
	20-30	36-48	54-72
1	—	—	Hood Support Angle(2)
2	Motor	Motor	Motor
3	Motor Sheave	Motor Sheave	Motor Sheave
4	Motor Plate	Motor Plate	Motor Plate
5	Belts	Belts	Belts
6	—	—	Center Post (2) (Size 72 or HEF size 60 <i>only</i>)
7	Fan Sheave	Fan Sheave	Fan Sheave
8	Shaft	Shaft	Shaft
9	Topcap	Topcap	Topcap
10	Corner Post (4)	Corner Post (4)	Corner Post (4)
11	Hood End	Hood End	Hood End
12	Hood Side	Hood Side	Hood Side
13	Perimeter Angle (4)	Perimeter Angle (4)	Perimeter Angle (4)
14	Bearings	Bearings	Bearings
15	HXEM/HXSM/HXEL/HXSL - X-Stream Propeller: HEE/HES/HER - Extruded Propeller		
16	Base Assembly: Power Assembly		
17	Supply Venturi	Supply Venturi	Supply Venturi

HEE-D/HES-D/HER-D Parts List



Part No.	HEE-D/HES-D/HER-D		
	20-30	36-48	54-60
1	—	—	Hood Support Angle (2)
2	Motor	Motor	Motor
3	Motor Plate	Motor Plate	Motor Plate
4	Topcap	Topcap	Topcap
5	Corner Post (4)	Corner Post (4)	Corner Post (4)
6	Hood End	Hood End	Hood End
7	Hood Side	Hood Side	Hood Side
8	Perimeter Angle (4)	Perimeter Angle (4)	Perimeter Angle (4)
9	Extruded Propeller	Extruded Propeller	Extruded Propeller
10	Base Assembly/ Power Assembly	Base Assembly/ Power Assembly	Base Assembly/ Power Assembly
11	Supply Venturi	Supply Venturi	Supply Venturi