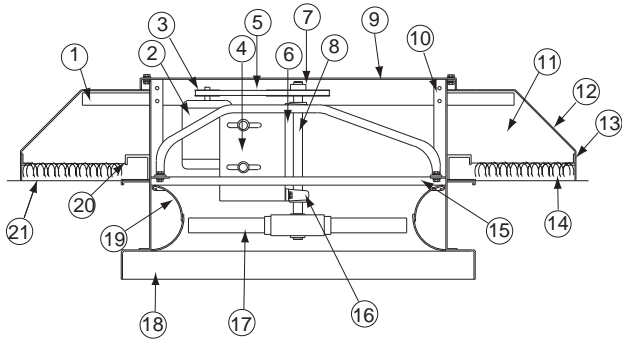
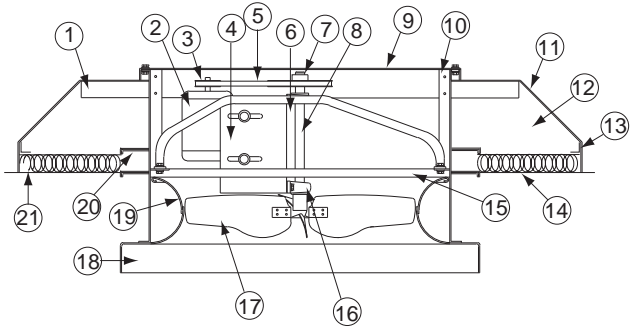


HEF Parts List



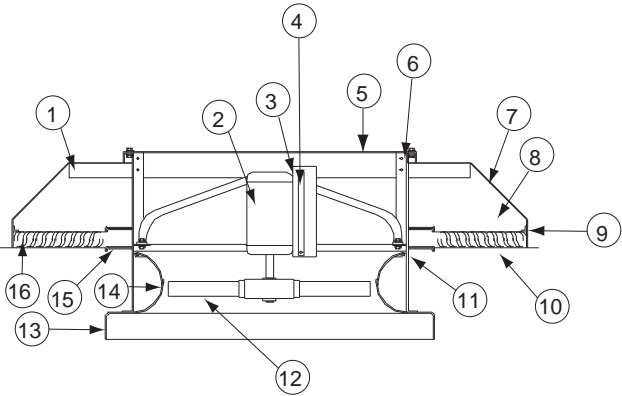
HXFL/HXFM Parts List



Part No.	HEF, HXFL & HXFM				
	24-30	36-42	48	54	60
1	—		Hood Support Angle	Hood Support Angle	
2	Motor	Motor	Motor		
3	Motor Sheave	Motor Sheave	Motor Sheave		
4	Motor Plate	Motor Plate	Motor Plate		
5	Belt	Belt	Belt		
6	—	—	—	Center Post	
7	Fan Sheave	Fan Sheave	Fan Sheave		
8	Shaft	Shaft	Shaft		
9	Topcap	Topcap	Topcap		
10	—	—	Corner Post	Corner Post	
11	Hood End	Hood End	Hood End		
12	Hood Side	Hood Side	Hood Side		
13	Perimeter Angle (4)	Perimeter Angle (4)	Perimeter Angle (4)		
14	Filter Rack (2)	Filter Rack (2)	Filter Rack (2)		
15	Power Assembly	Power Assembly	Power Assembly		
16	Bearings	Bearings	Bearings		
17	HEF - Extruded Propeller: HXFL/HXFM - X-Stream Propeller				
18	Base Assembly	Base Assembly	Base Assembly		
19	Supply Venturi	Supply Venturi	Supply Venturi		
20	Filter Crossmember	Filter Crossmember	Filter Crossmember		
21	Filter*	Filter*	Filter*		

* See Filter Schedule on page 4

HEF-D Parts List



Part No.	HEF-D				
	20-30	36-42	48	54	60
1	—		Hood Support Angle	Hood Support Angle	
2	Motor	Motor	Motor		
3	Motor Plate	Motor Plate	Motor Plate		
4	—	—	—	Center Post	
5	Topcap	Topcap	Topcap		
6	—	—	Corner Post (4)	Corner Post (4)	
7	Hood End	Hood End	Hood End		
8	Hood Side	Hood Side	Hood Side		
9	Perimeter Angle (4)	Perimeter Angle (4)	Perimeter Angle (4)		
10	Filter Rack (2)	Filter Rack (2)	Filter Rack (2)		
11	Power Assembly	Power Assembly	Power Assembly		
12	Extruded Propeller	Extruded Propeller	Extruded Propeller		
13	Base Assembly	Base Assembly	Base Assembly		
14	Supply Venturi	Supply Venturi	Supply Venturi		
15	Filter Crossmember	Filter Crossmember	Filter Crossmember		
16	Filter*	Filter*	Filter*		

* See Filter Schedule on page 4

Limited Warranty

Loren Cook Company warrants that your Loren Cook fan was manufactured free of defects in materials and workmanship, to the extent stated herein. For a period of one (1) year after date of shipment, we will replace any parts found to be defective without charge, except for shipping costs which will be paid by you.

This warranty is granted only to the original purchaser placing the fan in service.

This warranty is void if the fan or any part thereof has been altered or modified from its original design or has been abused, misused, damaged or is in worn condition or if the fan has been used other than for the uses described in the company manual. This warranty does not cover defects resulting from normal wear and tear.

To make a warranty claim, notify Loren Cook Company, General Offices, 2015 East Dale Street, Springfield, Missouri 65803-4637, explaining in writing, in detail, your complaint and referring to the specific model and serial numbers of your fan. Upon receipt by Loren Cook Company of your written complaint, you will be notified, within thirty (30) days of our receipt of your complaint, in writing, as to the manner in which your claim will be handled. If you are entitled to warranty relief, a warranty adjustment will be completed within sixty (60) business days of the receipt of your written complaint by Loren Cook Company.

This warranty gives only the original purchaser placing the fan in service specifically the right. You may have other legal rights which vary from state to state.

For fans provided with motors, the motor manufacturer warrants motors for a designated period stated in the manufacturer's warranty. Warranty periods vary from manufacturer to manufacturer. Should motors furnished by Loren Cook Company prove defective during the designated period, they should be returned to the nearest authorized motor service station. Loren Cook Company will not be responsible for any removal or installation costs.

LOREN COOK COMPANY

Corporate Offices: 2015 E. Dale Street Springfield, MO 65803 417.869.6474
lorencook.com

H-Series IOM - Jan 2014