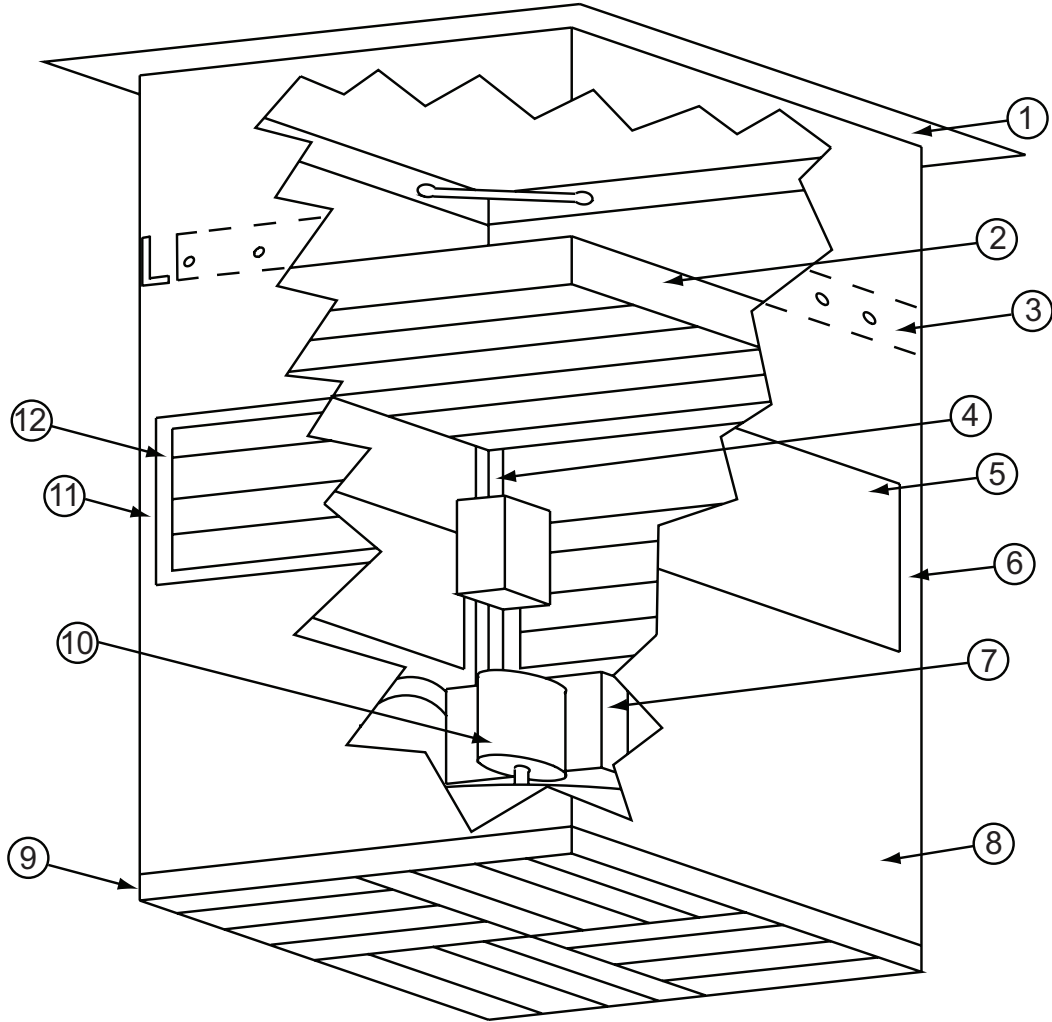


# Economizer Cabinet Parts List



Part No.	Description
1	Upper Cabinet Assembly
2	Top Damper
3	Top Damper Support (4)
4	Corner Posts (4)
5	Access Door (2)
6	Access Door Mount (4)
7	Motor Plate
8	Lower Cabinet/ Power Assembly
9	Diffuser Panel (optional)
10	Motor
11	Side Damper Mount (4)
12	Side Damper (2)
Not Shown	Extruded Propeller (not shown)