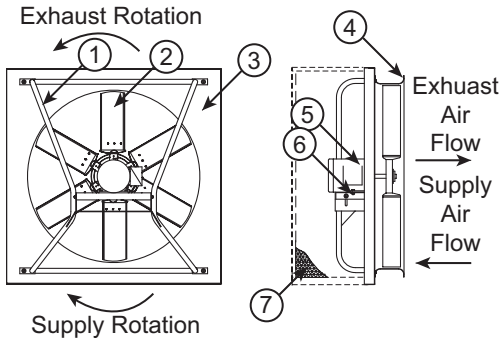
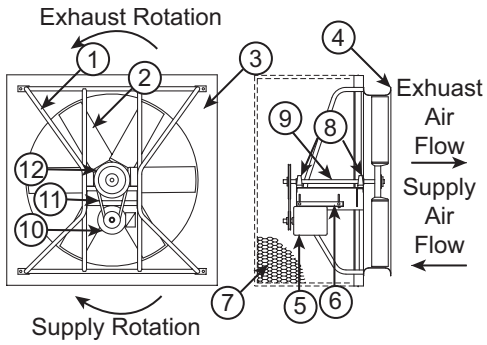


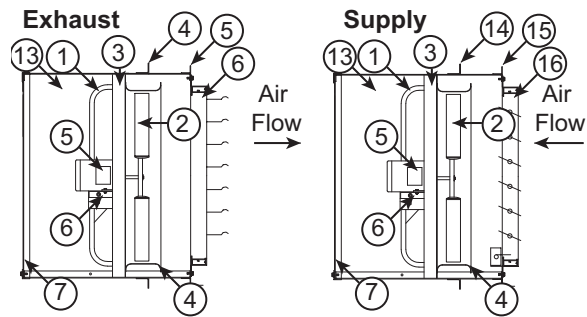
EWD



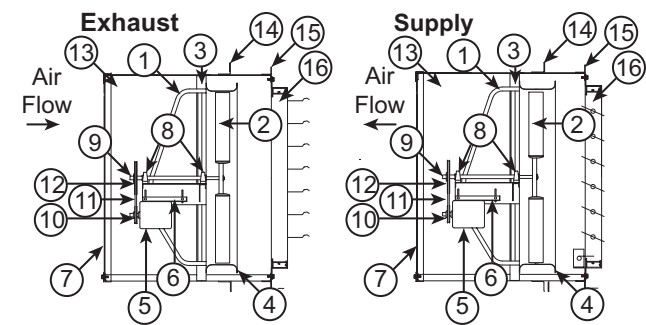
EWB



EPD

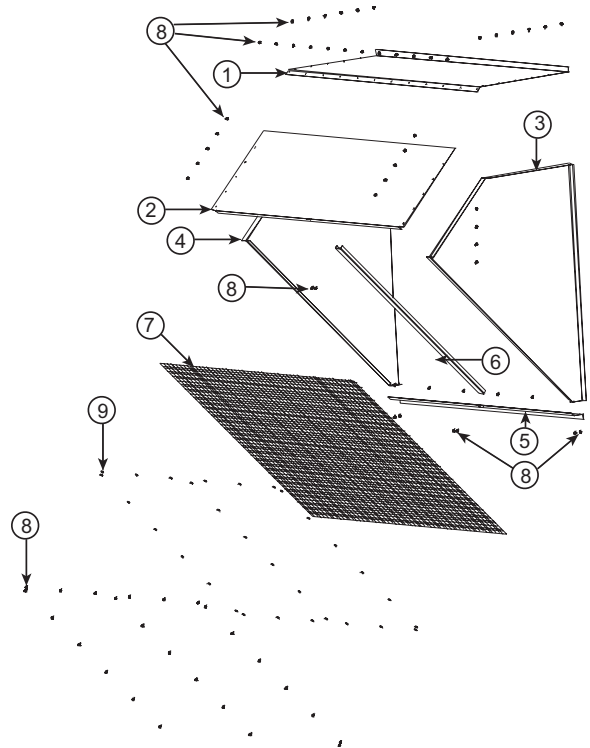


EPB



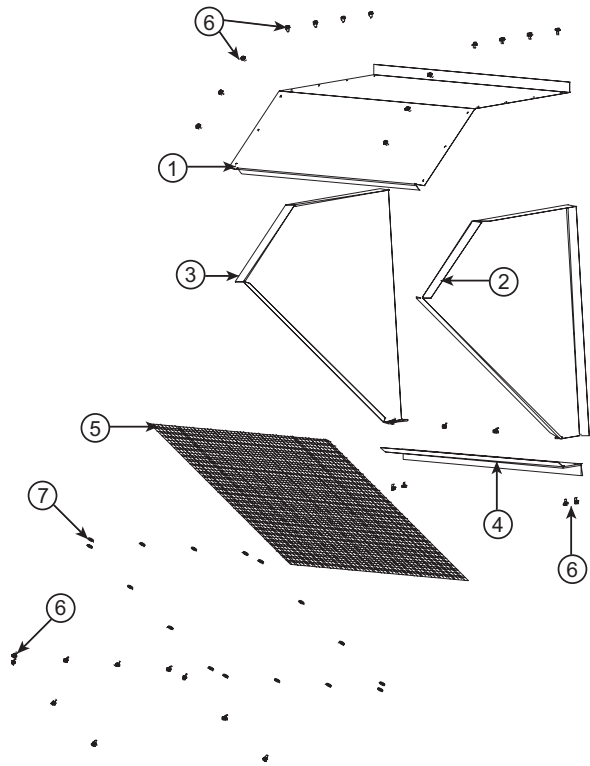
Part	Description	Part	Description
1	Power Assembly	10	Driver Sheave
2	Prop	11	Belt
3	Base	12	Driven Sheave
4	Venturi	13	Fan Box Panels
5	Motor	14	Mounting Collar Angles (4)
6	Motor plate	15	Anchor Angles (2)
7	End Wire Guard	16	Shutters
8	Bearing	Note: Since 2012, the venturi and base are one piece.	
9	Shaft		

Weather Hood Size 36 to 60



Part	Description	Part	Description
1	Top Panel, Piece 1	6	Bird Screen Support
2	Top Panel, Piece 2	7	1/2" Mesh Galvanized Bird Screen
3	Right Side Panel	8	1/4" X 1/2" Speed Screw
4	Left Side Panel	9	5/16 SAE Steel Washer
5	Bottom Panel		

Weather Hood Size 8 to 30



Part	Description	Part	Description
1	Top Panel	5	1/2" Mesh Galvanized Bird Screen
2	Right Side Panel	6	1/4" X 1/2" Speed Screw
3	Left Side Panel	7	5/16 SAE Steel Washer
4	Bottom Panel		