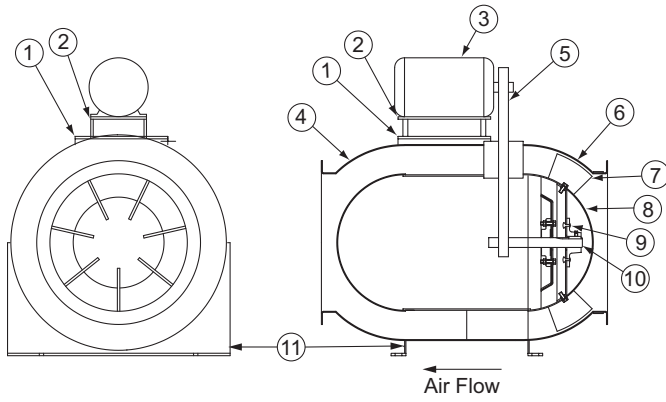
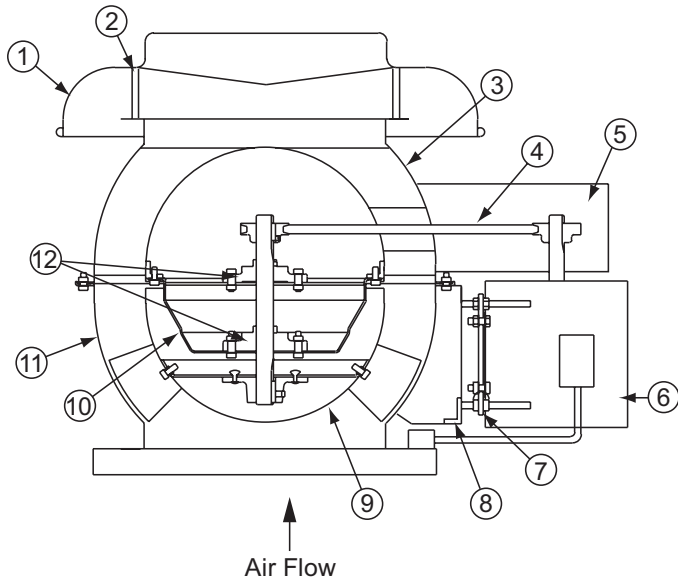


### CVS



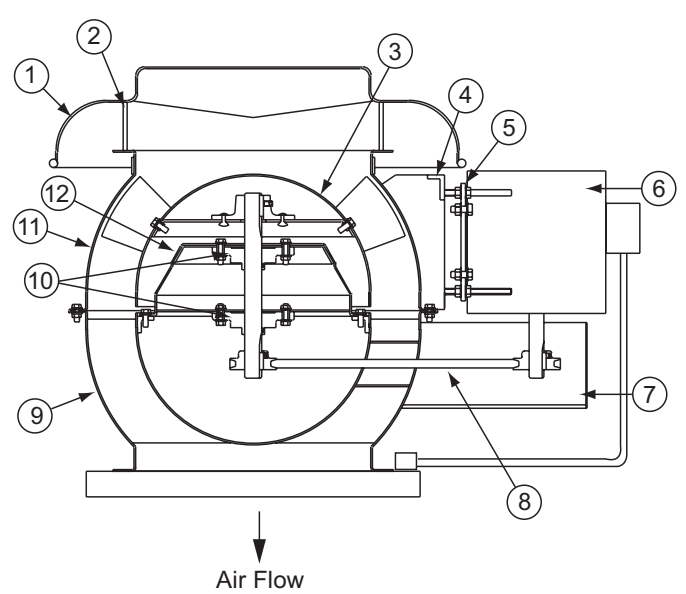
| Part No. | Part Description (Sizes 12-36) |
|----------|--------------------------------|
| 1        | Belt Set                       |
| 2        | Motor Plate                    |
| 3        | Motor                          |
| 4        | Outer Discharge Housing        |
| 5        | Belt                           |
| 6        | Outer Inlet Housing            |
| 7        | Wheel Assembly                 |
| 8        | Hub                            |
| 9        | Bearings                       |
| 10       | Shaft                          |
| 11       | Mounting Feet                  |

### CVR



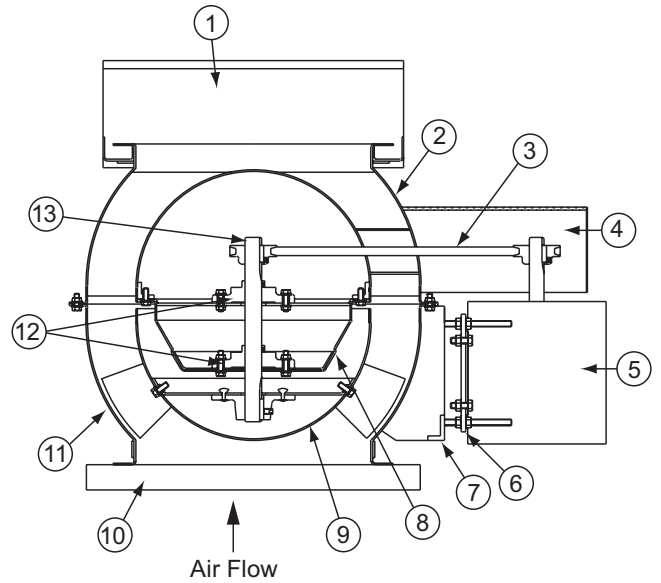
| Part No. | Part Description (Sizes 10-36) |
|----------|--------------------------------|
| 1        | Topcap Assembly                |
| 2        | Post                           |
| 3        | Outer Discharge Housing        |
| 4        | Belt Set                       |
| 5        | Belt Guard                     |
| 6        | Motor                          |
| 7        | Motor Plate                    |
| 8        | Motor Plate Saddle             |
| 9        | Wheel Assembly                 |
| 10       | Bearing Plate                  |
| 11       | Outer Inlet Housing            |
| 12       | Bearings                       |

### CVR-S



| Part No. | Part Description (Sizes 10-36) |
|----------|--------------------------------|
| 1        | Topcap Assembly                |
| 2        | Post                           |
| 3        | Wheel Assembly                 |
| 4        | Motor Plate Saddle             |
| 5        | Motor Plate                    |
| 6        | Motor                          |
| 7        | Belt Guard                     |
| 8        | Belt Set                       |
| 9        | Outer Discharge Housing        |
| 10       | Bearings                       |
| 11       | Outer Inlet Housing            |
| 12       | Bearing Plate                  |

### UCV



| Part No. | Part Description (Sizes 10-36) |
|----------|--------------------------------|
| 1        | Damper Assembly                |
| 2        | Outer Discharge Housing        |
| 3        | Belt Set                       |
| 4        | Belt Guard                     |
| 5        | Motor                          |
| 6        | Motor Plate                    |
| 7        | Motor Plate Saddle             |
| 8        | Bearing Plate                  |
| 9        | Wheel Assembly                 |
| 10       | Base                           |
| 11       | Outer Inlet Housing            |
| 12       | Bearings                       |
| 13       | Shaft                          |