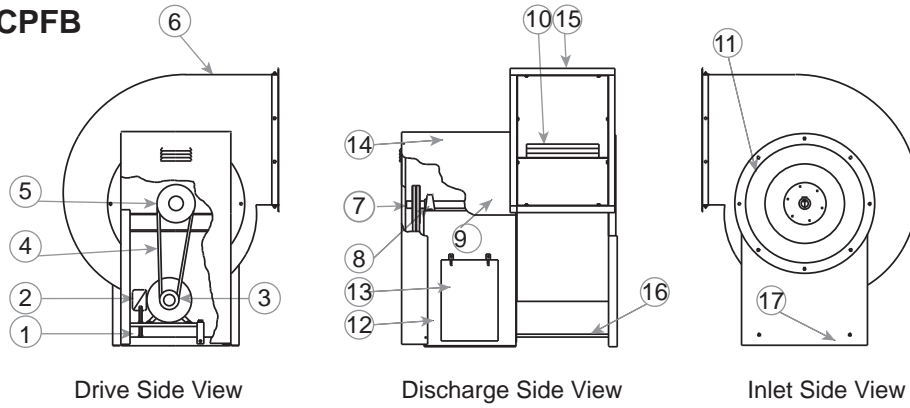
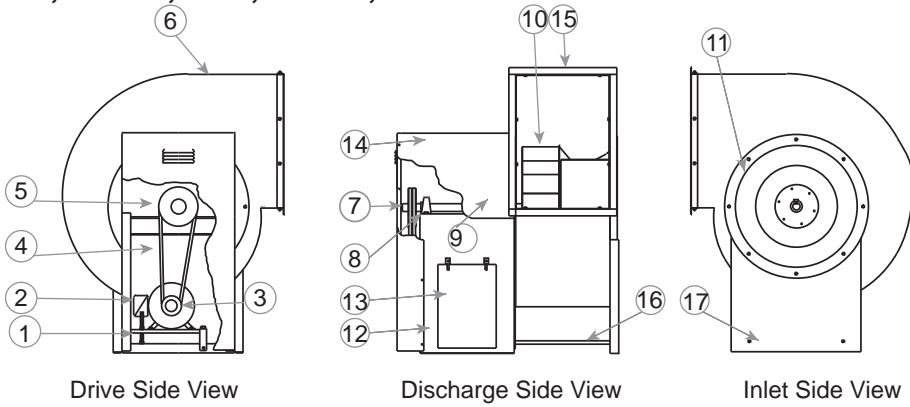


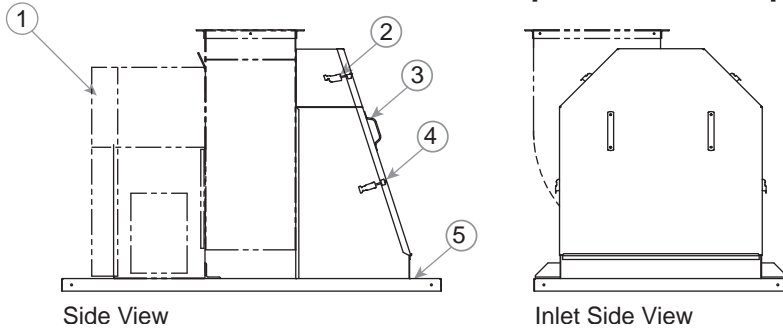
CPFB



CPA, CPA-A, CPS, CPS-A, CPV



CPA, CPA-A, CPS, CPS-A, CPV w/Optional Curb Cap and Inlet Box Accessory



Part No.	CPFB, CPA, CPA-A, CPS, CPS-A, CPV Arr 4
1	Motor Slide Base
2	Motor
3	Motor Sheave
4	Belt Set
5	Fan Sheave
6	Housing
7	Shaft
8	Drive Side Bearing
9	Free Side Bearing
10	Wheel
11	Inlet Cone
12	Pedestal
13	Optional Side Cover (2)
14	Optional Weather Cover
15	Discharge Flange
16	Spreader Bar (2)
17	Inlet Side Support

Part No.	CPA, CPA-A, CPS, CPS-A, CPV w/Optional Curb Cap and Inlet Box Accessory Parts List
1	CP Vent Set
2	Adjustable Draw Latch
3	Access Door Assembly
4	Latch Keeper
5	Curb Cap/Plenum Box Assembly
6	Foam Tape (Not Shown)