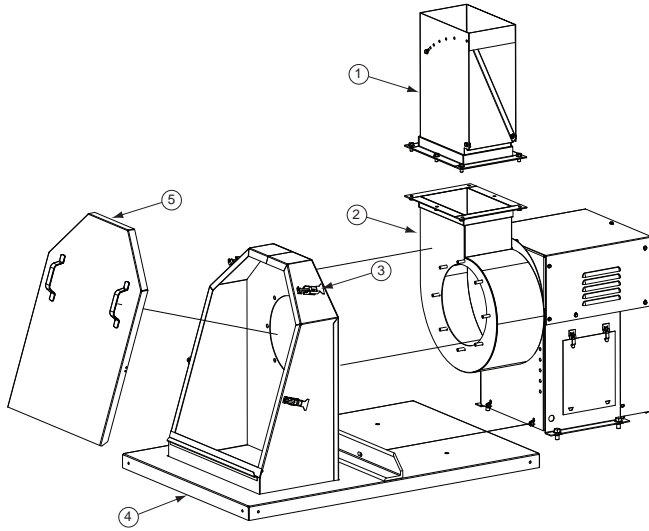
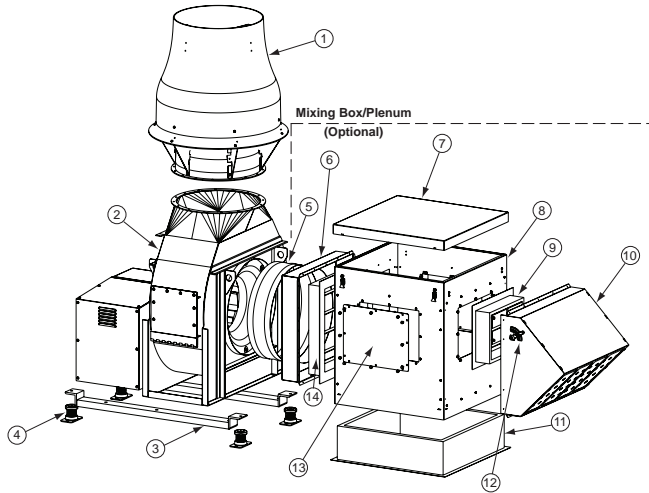


### CPSLE Parts List



Parts Diagram Number	CPSLE
1	CPSLE Adjustable Nozzle
2	CPS Unit (See CP IOM for details)
3	Latches
4	Curb Cap and Low Loss Inlet Box
5	Inlet Box Door

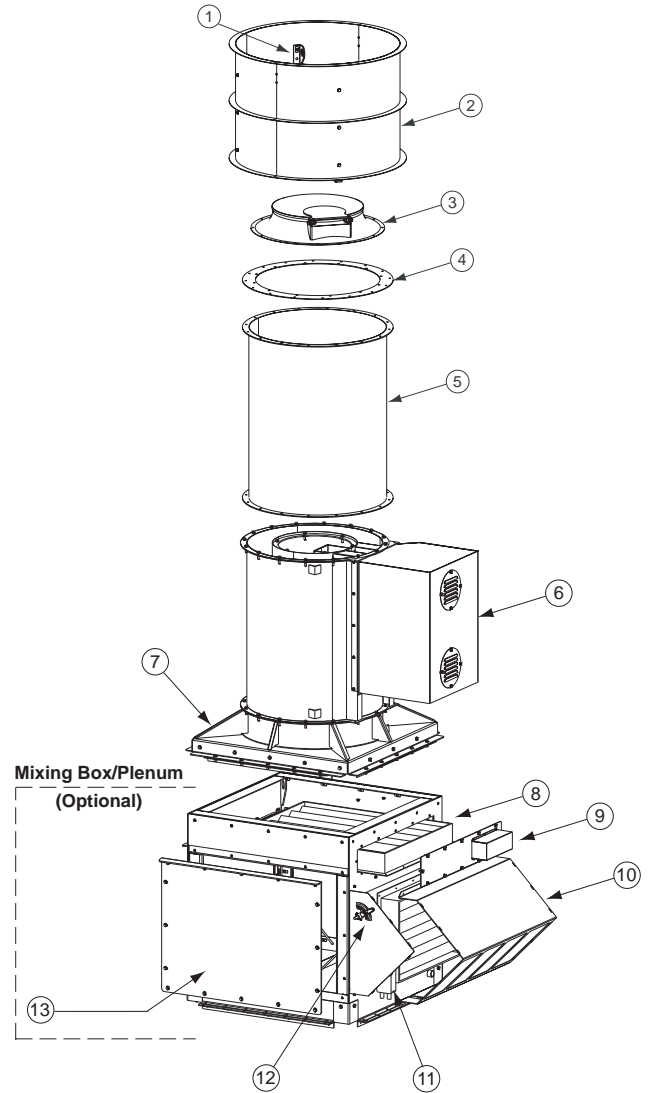
### CAVP Parts List



Parts Diagram Number	CAVP (with Optional Mixing Box/Plenum)*
1	Vari-Plume <sup>™</sup> Nozzle
2	CA Unit (See CA/CF/CP IOM for details)
3	Isolation Rails (Optional)
4	Isolators (Optional)
5	Flex-Duct Connector
6	Isolation Damper Cover
7	Mixing Box Lid
8	Mixing Box
9	Bypass Damper
10	Bypass Weatherhood
11	Curb (Optional)
12	Manual Bypass Handle
13	Mixing Box Access Door (2)
14	Isolation Damper (Optional)

\*Optional Mixing Box/Plenum - Parts 5 through 14.

### QMXLE Parts List



Parts Diagram Number	QMXLE (with Optional Mixing Box/Plenum)*
1	Lifting Lug
2	Windband
3	Stack Damper
4	Adapter Plate
5	Middle Section
6	QMX Unit (See QMX IOM for details)
7	Curb Cap
8	Isolation Damper (Optional)
9	Isolation Damper Cover
10	Bypass Weather Cover
11	Bypass Damper
12	Manual Bypass Handle
13	Mixing Box Access Door (3)

\*Optional Mixing Box/Plenum - Parts 8 through 13.