

- Torque bolt to 85-90 ft-lb.
- Proceed to unit mounting.

Wall Mounting

- Locate a solid support structure within the wall.
- Discard the back plate when wall mounting.
- Use four 5/8" x 2" lag bolts, grade 5 minimum (not included), to secure bracket to the wall.
- Proceed to unit mounting.

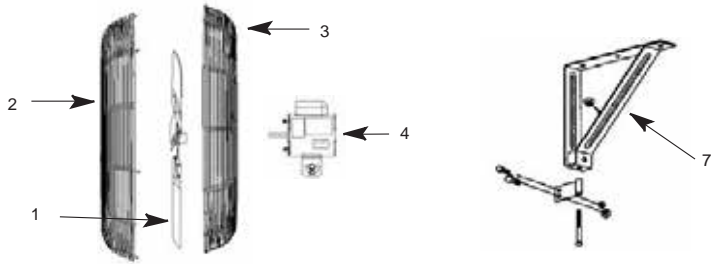
Unit Mounting

- Using 4-1/2" x 1/75" bolts and nuts, attach the high volume, high velocity industrial circulator to the column/wall bracket (See CAC-WH Parts List on Page 7). Tighten the nuts and bolts to 45-50 ft-lb torque.
- Using the safety cable holes located in the Column Mounting Bracket and the Back Plate, install the safety cable (See CAC-WH Parts List). Overlap the cable's ends, and tighten the clamps and nuts to 45 ft-lb torque. The cable should not exceed 1" of slack.

Troubleshooting Chart

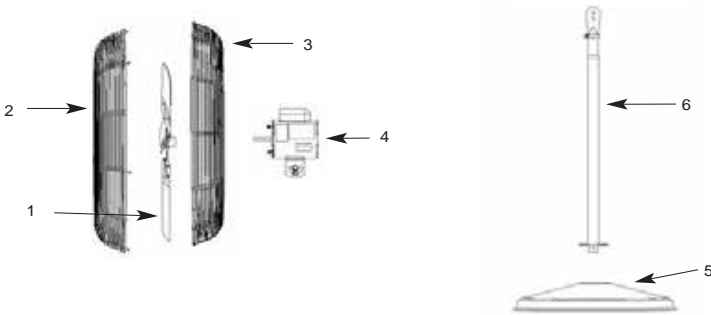
Symptom	Possible Cause(s)	Corrective Action
Fan inoperative	1. Blown fuse or open circuit breaker 2. Defective motor or switch 3. Broken belt	1. Replace or reset 2. Repair or replace 3. Replace
Fan cycles on and off	1. Thermal protector 2. Faulty wiring or control switch	1. Check for obstructions to air flow, voltage, intake air temperature 2. Repair or replace
Unit fails to oscillate (sweep)	1. Connection arm not secured 2. Defective gear assembly	1. Tighten 2. Replace
Excessive noise while operating	1. Defective bearing 2. Loose or damaged propeller 3. Loose, worn, or dirty belt 4. Motor not secure	1. Replace shaft/bearing assembly 2. Tighten or replace 3. Adjust, replace, or clean 4. Tighten motor nuts
Insufficient air flow	1. Belt slippage 2. Guard excessively dirty	1. Replace and/or adjust tension 2. Clean guards

CAC-W / CAC-WO Parts List



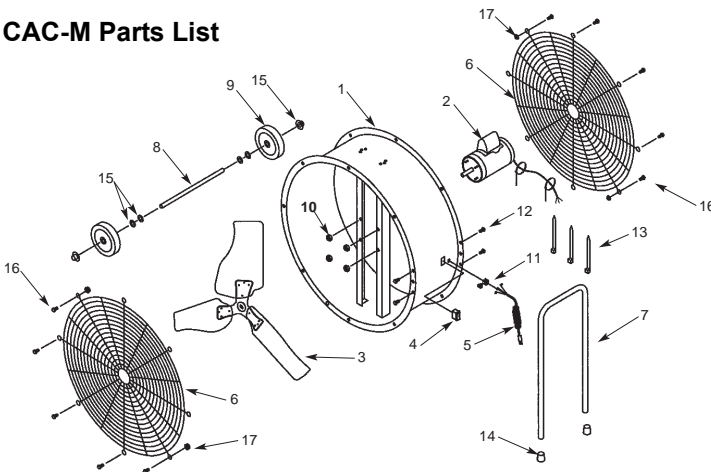
Part No.	Description
1	Propeller
2	Front Guard
3	Rear Guard
4	Motor Assembly (includes cord & switch)
7	Wall/Ceiling Bracket

CAC-P / CAC-PO Parts List



Part No.	Description
1	Propeller
2	Front Guard
3	Rear Guard
4	Motor Assembly (includes cord & switch)
5	Pedestal Base Assembly
6	Column Assembly

CAC-M Parts List



Part No.	Description
1	Housing
2	Motor (w/key)
3	Propeller
4	SPST Switch
5	Cord Assembly
6	Guard
7	Handle
8	1/2" Dia. Axle
9	7" Dia. Wheel
10	#10-32 Lock Nut
11	Strain Relief
12	1/4-20 x 1/2" HWH Screw
13	Wire Tie
14	1" Crutch Tip
15	Parts Pack
16	1/4-20 x 1/2" Screw
17	1/4-20 Nut