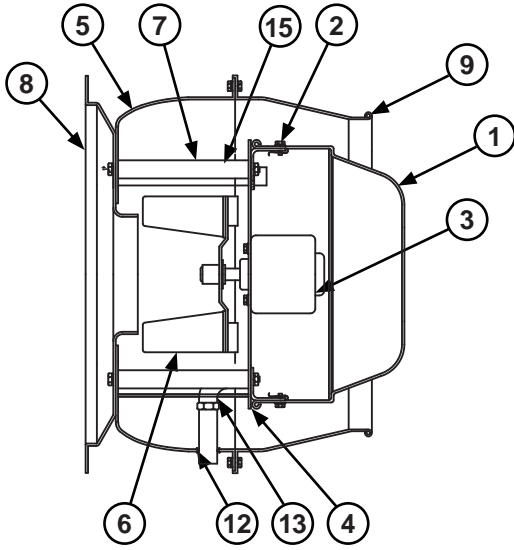
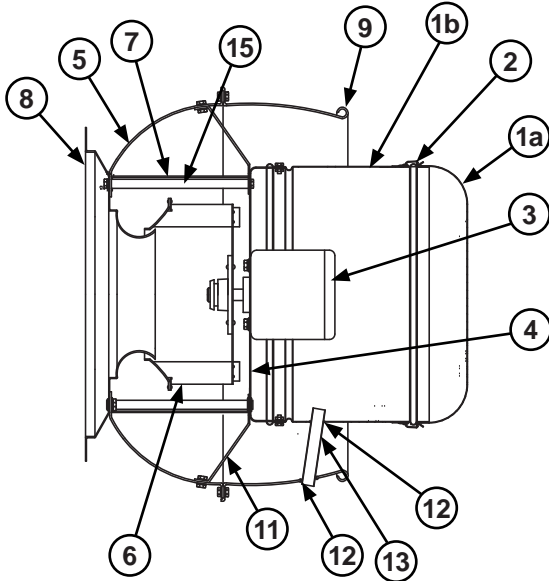


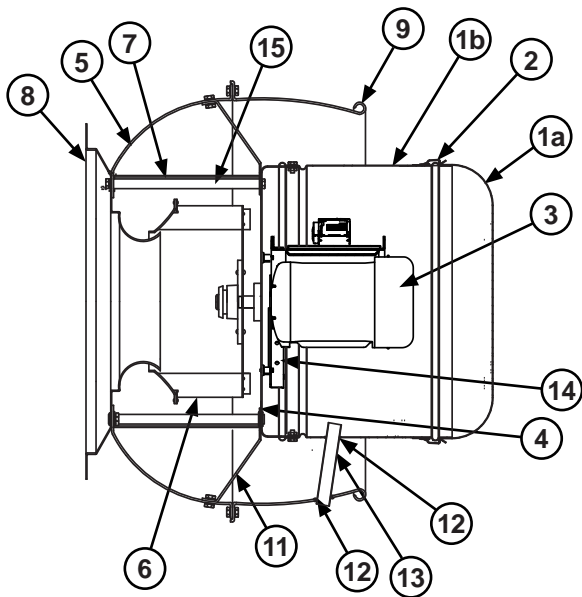
ACW-D Parts



ACW-D 70-100



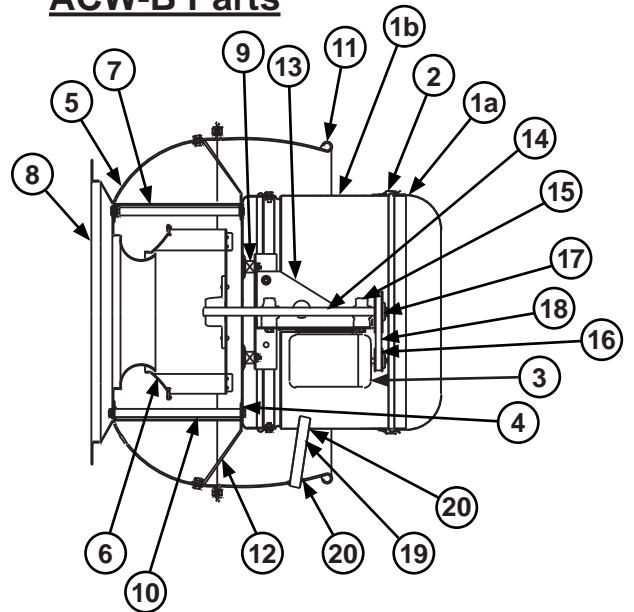
ACW-D 101-195
C-Face Mount



ACW-D 150-245
Base Mount

Item #	ACW-D Description		
	70-100	101-195	150-245
1a	Top Cap	Top cap Lid	Top cap Lid
1b		Top Cap Cylinder	Top Cap Cylinder
2	Bolts (4)	Top Cap Clip (4)	Top Cap Clip (4)
3	Motor	Motor	Motor
4	Motor Plate	Motor Plate	Motor Plate
5	Baffle	Baffle	Baffle
6	Wheel Assembly	Wheel Assembly	Wheel Assembly
7	Bird Screen	Bird Screen	Bird Screen
8	Wall Flange	Wall Flange	Wall Flange
9	Windband	Windband	Windband
10	-	Spacer (4)	Spacer (8)
11	-	Brace (4)	Brace (4)(150-195) Brace (8)(210-245)
12	Grommet (2)	Grommet (2)	Grommet (2)
13	Cooling Tube-Angled	Cooling Tube	Cooling Tube
14	-	-	Power Assembly
15	Post (4)	Post (4)	Post (4) 150-195 Post (8) 210-245

ACW-B Parts



Item #	ACW-B Parts Description		
	100	120-165	180-245
1a	Top Cap Lid	Top Cap Lid	Top Cap Lid
1b	Top Cap Cylinder	Top Cap Cylinder	Top Cap Cylinder
2	Top Cap Clip (4)	Top Cap Clip (4)	Top Cap Clip (8)
3	Motor	Motor	Motor
4	Motor Plate	Motor Plate	Motor Plate
5	Baffle	Baffle	Baffle
6	Wheel Assembly	Wheel Assembly	Wheel Assembly
7	Bird Screen	Bird Screen	Bird Screen
8	Wall Flange	Wall Flange	Wall Flange
9	Spacer (4)	Spacer (4)	Spacer (8)
10	Post (4)	Post (4)	Post (8)
11	Wind Band	Wind Band	Wind Band
12	-	Brace (4)	Brace (8)
13	Power Assembly	Power Assembly	Power Assembly
14	Shaft	Shaft	Shaft
15	Bearing (2)	Bearing (2)	Bearing (2)
16	Drive Sheave	Drive Sheave	Drive Sheave
17	Driven Sheave	Driven Sheave	Driven Sheave
18	Belt Set	Belt Set	Belt Set
19	Vent Tube	Vent Tube	Vent Tube
20	Grommet (2)	Grommet (2)	Grommet (2)