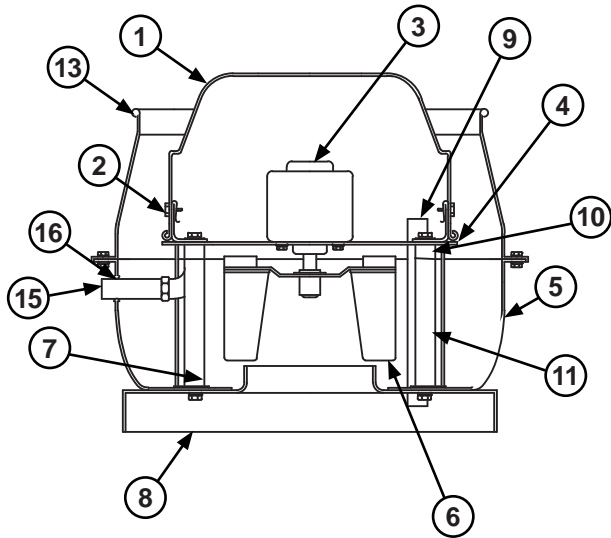


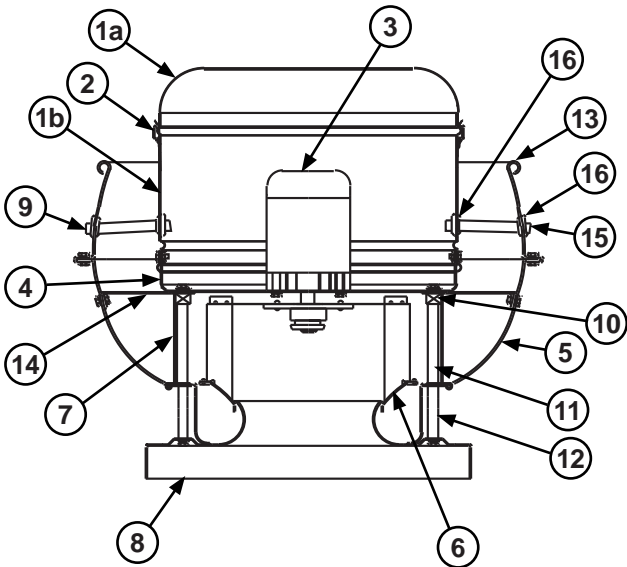
ACRU-D Parts



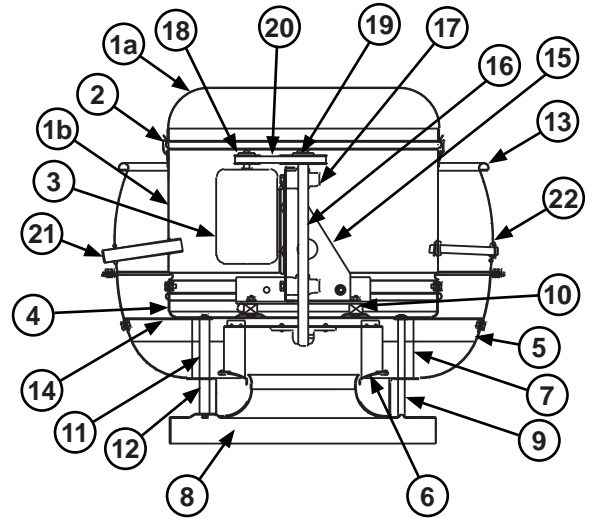
ACRU-D Sizes 70-100

Item #	ACRU-D Parts Description		
	70-100	101-195	210-300
1a	Top Cap	Top Cap Lid	Top Cap Lid
1b	-	Top Cap Cylinder	Top Cap Cylinder
2	Bolts (4)	Top Cap Clip (4)	Top Cap Clip (8)
3	Motor	Motor	Motor
4	Motor Plate	Motor Plate	Motor Plate
5	Baffle	Baffle	Baffle
6	Wheel Assembly	Wheel Assembly	Wheel Assembly
7	Bird Screen	Bird Screen	Bird Screen
8	Base	Base	Base
9	Conduit	Conduit	Conduit
10	Isolator (4)	Isolator (4)	Isolator (8)
11	Post (4)	Upper Post (4)	Upper Post (8)
12	-	Lower Post (4)	Lower Post (8)
13	Wind Band	Wind Band	Wind Band
14	-	Brace (4)	Brace (8)
15	Vent Tube-Angled	Vent Tube-Angled	Vent Tube-Angled
16	Grommet (2)	Grommet (2)	Grommet (2)

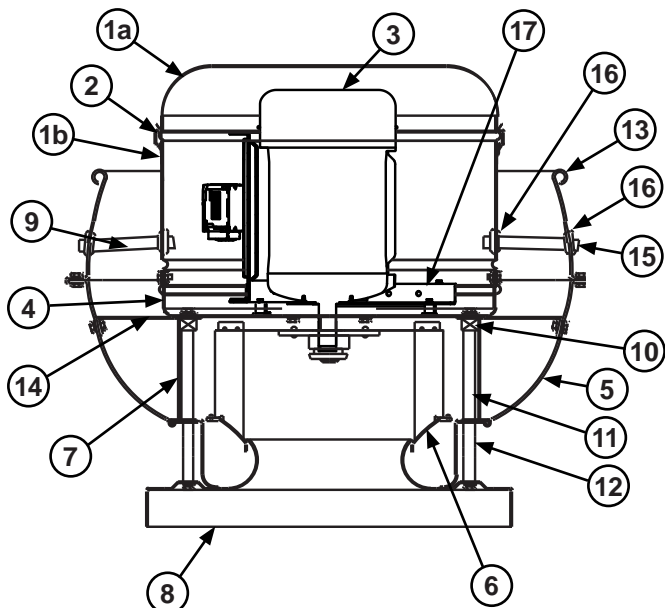
ACRU-B Parts



ACRU-D Sizes 101-195



Item #	ACRU-B Parts Description		
	100	120-245	270-490
1a	Top Cap Lid	Top Cap Lid	Top Cap Lid
1b	Top Cap Cylinder	Top Cap Cylinder	Top Cap Cylinder
2	Top Cap Clip (4)	Top Cap Clip (4)	Top Cap Clip (8)
3	Motor	Motor	Motor
4	Motor Plate	Motor Plate	Motor Plate
5	Baffle	Baffle	Baffle
6	Wheel Assembly	Wheel Assembly	Wheel Assembly
7	Bird Screen	Bird Screen	Bird Screen
8	Base	Base	Base
9	Conduit	Conduit	Conduit
10	Isolator (4)	Isolator (4)	Isolator (8)
11	Upper Post (4)	Upper Post (4)	Upper Post (8)
12	Lower Post (4)	Lower Post (4)	Lower Post (8)
13	Wind Band	Wind Band	Wind Band
14	-	Brace (4)	Brace (8)
15	Power Assembly	Power Assembly	Power Assembly
16	Shaft	Shaft	Shaft
17	Bearing (2)	Bearing (2)	Bearing (2)
18	Drive Sheave	Drive Sheave	Drive Sheave
19	Driven Sheave	Driven Sheave	Driven Sheave
20	Belt Set	Belt Set	Belt Set
21	Vent Tube	Vent Tube	Vent Tube
22	Grommet (2)	Grommet (2)	Grommet (2)



ACRU-D Sizes 210-300